

WarmRain Specification for model:
B-4839



Warm Rain models B-4839 shower base fixtures are constructed of reinforced polyester resin covered with a high gloss gel-coat of 18 - 20 mil. thickness. The reinforced fiberglass has a minimum content of 18 % fiberglass.

The bottom base of the unit is constructed of 1/2" end-grained balsa wood sandwiched between 2 layers of reinforced fiberglass at a content of no less than 18%. The base is an integral part of the unit.

The inside bottom floor will be textured. The texture bottom floor meets and exceeds ASTM Safety Specification F-462.

The unit will measure 48" x 39" x 7" and has a 3" front outside threshold with a 1.5" inside dam. The B-4839 meets the Wisconsin Building Code and Federal Code for 36" of inside space on a Plan "B" shower.

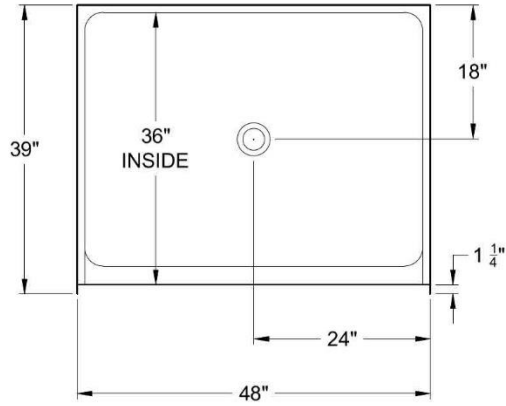
The B-4839 is available with an Above Floor Rough-in. For Above Floor Rough-in, please change model # to: B-4839-AFR and add 2" to overall height and 2" to the front apron height.

The front apron of all units will have wood support along the entire length to help prevent the corners from chipping or bowing in or out.

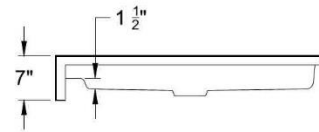
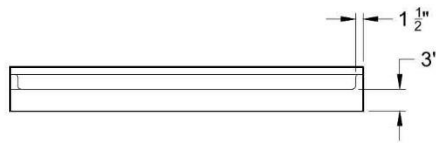
These Warm Rain shower bases arrive on site fully tested, inspected, and certified to meet or exceed the precise standards established by FHA/HUD, materials bulletin 73, American National Standards Z-124.1 and Z-124.2, ASTM/E-84 and is certified by the National Association of Home Builders NAHB. Features



WarmRain Specification for model:
B-4839



B-4839



1-12-21

