

Installation Notes

Model: B-6036

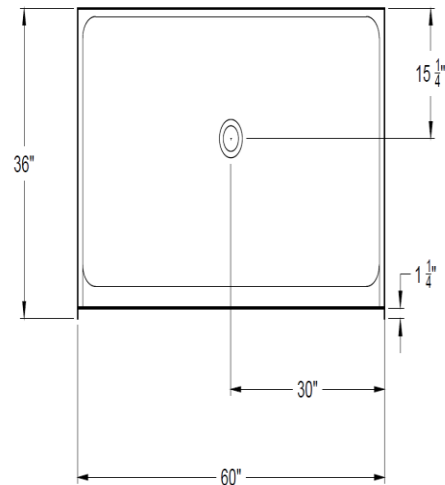


Shower Base

Door Opening: 56.75"

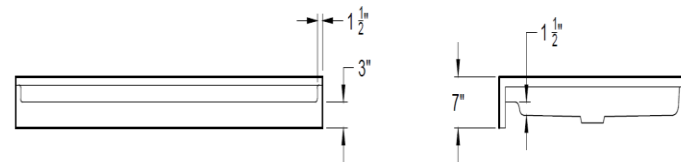
Front Outside Threshold Height: 3"

Inside dam height: 1.5"



Installation Notes:

1. Inspect Frame Area for proper size, level, square and plumb
2. Position base in framed area. Check to be sure base is level. Be sure apron is down tight to floor and walls are touching studs of framed area.
3. Spot nail the nailing flanges at the top front corners.
4. Continue to nail flanges to each stud.
5. After installation – clean base with warm water and liquid detergent. Paints and other materials may easily be removed without damage to the unit with use of turpentine, paint thinner or acetone.
6. Any scratches or dull areas in the unit may be removed with automotive type buffing compound.



Special NOTE:

ALL DIMENSIONS MAY VARY +/- 1/4"

Warm Rain Corporation, 51675 N. Industrial Drive, Calumet, MI 49913

4-13-19

Voice: 906-482-3750 * Fax: 906-482-2585 * email: tedk@warmrain.com * website: www.warmrain.com