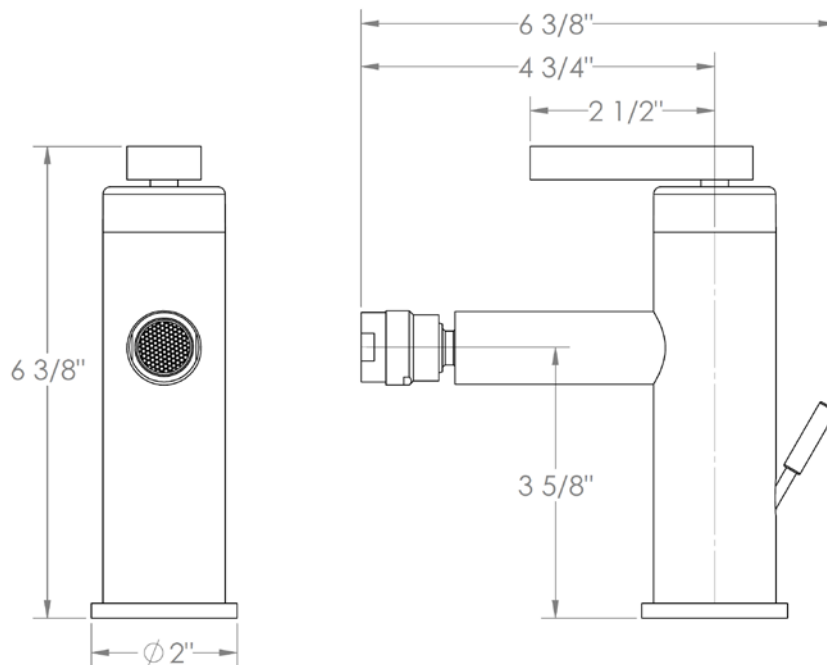


97-4.1-J5

Deck Mounted Bidet Monoblock
Includes MPU7 pop-up drain



Meets the applicable requirements of ASME A112.18.1-2005/CSA B125.1-05, entitled "Plumbing Supply Fittings"

WATERMARK DESIGNS 3/1/2018