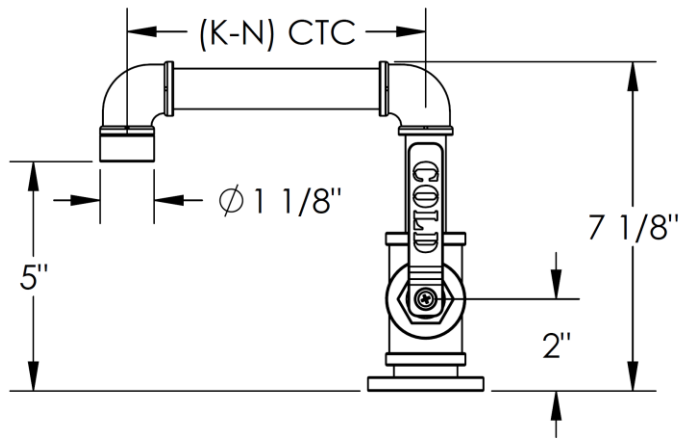
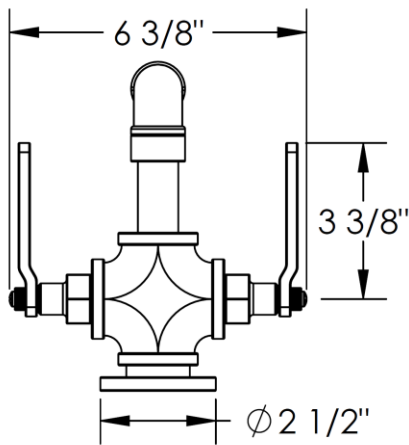


**38-1-\_-EV4**  
 Single Hole Lavatory  
 Specify (K-N)

K=5.5"  
 L=6.5"  
 M=7.5"  
 N=8.5"



Meets the applicable requirements of ASME A112.18.1-2005/CSA B125.1-05, entitled "Plumbing Supply Fittings"

**WATERMARK DESIGNS 2/25/2015**

350 Dewitt Ave Brooklyn NY 11207 USA T 718 257 2800 F 718 257 2144 info@watermark-designs.com