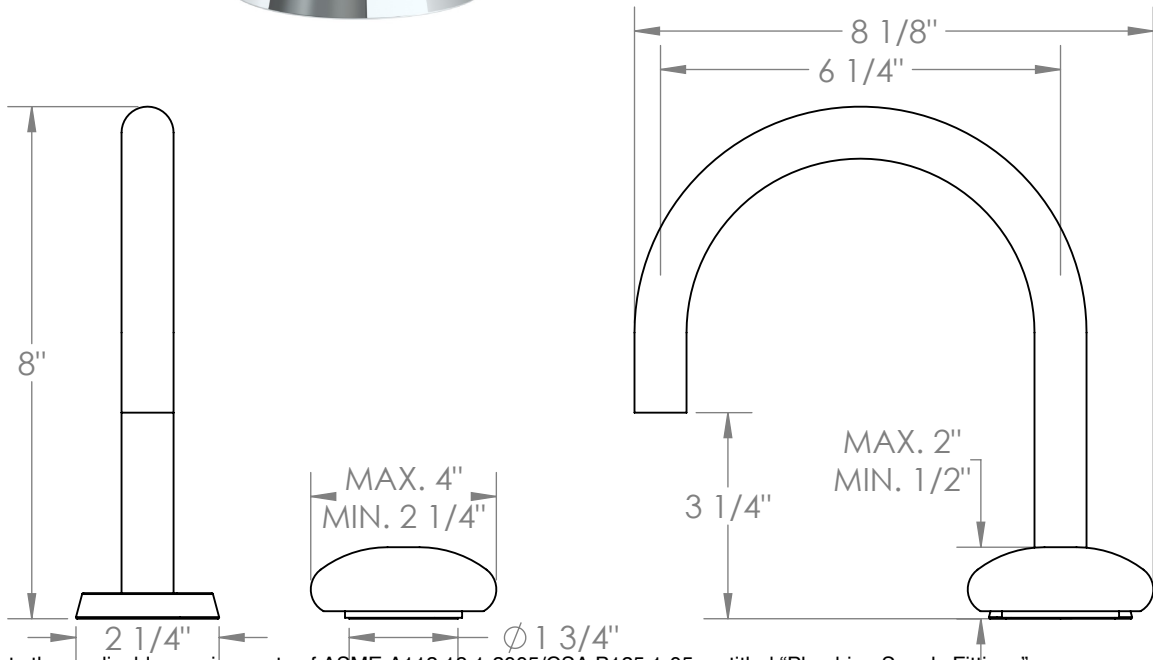


### 36-1.3S-WM

Deck Mounted 2 Hole Gooseneck Lavatory Set with Short Spout  
Includes MPU5 soft-touch drain  
Flow Rate: 1.2 GPM



Meets the applicable requirements of ASME A112.18.1-2005/CSA B125.1-05, entitled "Plumbing Supply Fittings"