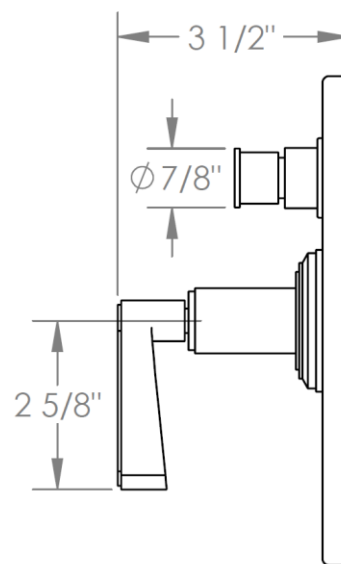
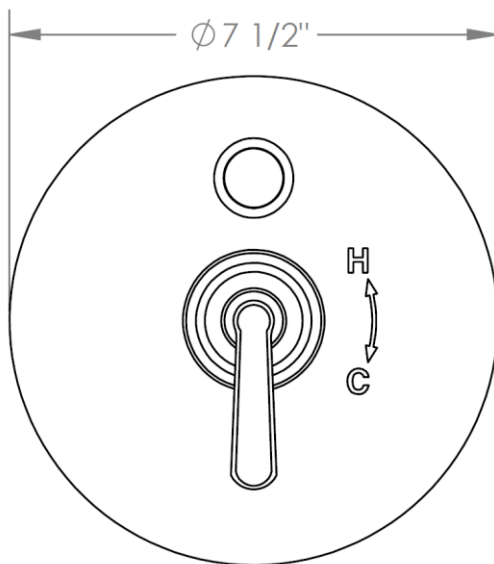


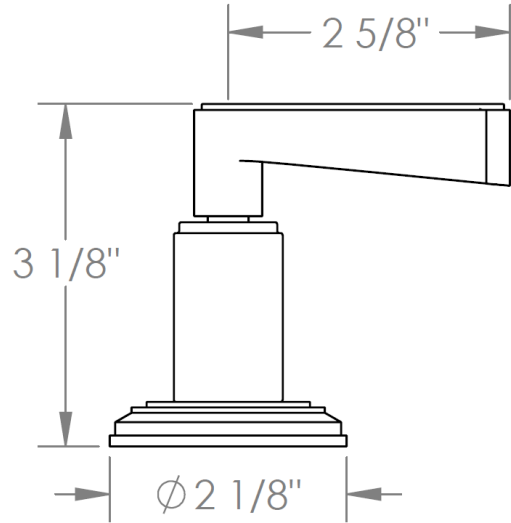
**30-P90-\_\_**

Trim Kit Only for Pressure Balance Valve with Diverter  
Requires SS-PB85 concealed rough



HANDLE TRIM OPTIONS

TR24 - NORWOOD



TR25 - UNION

