

Lifesaver® Emergency Shower Head

MODELS:

- SE-810: 8" Plastic Emergency Shower Head
- SE-820: 8" Stainless Steel Emergency Shower Head
- SE-830: 10" Stainless Steel Emergency Shower Head

FEATURES:

- High performance emergency shower head with integral flow control
- 1" NPT female inlet
- 20 GPM (75.71 L/min) @ 30 PSI flow rate

STANDARDS:

- ANSI/ISEA Z358.1 certified

WARRANTY:

Visit www.speakman.com for full product warranty information

- 3 Year Limited Warranty (commercial)



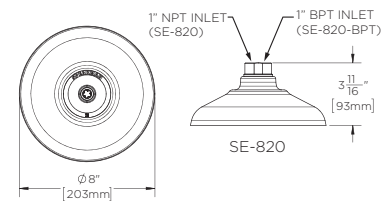
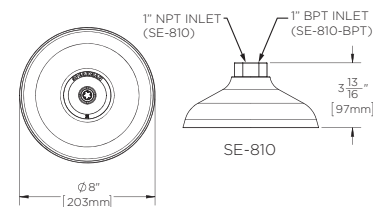
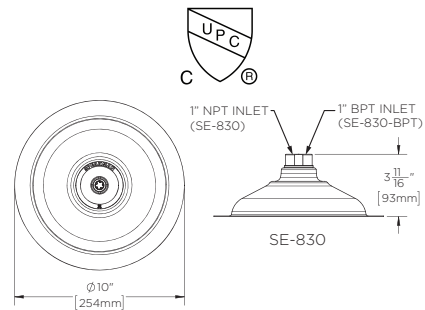
SE-810



SE-820



SE-830



All dimensions are in inches (millimeters) unless otherwise specified and are subject to change without notice.

Architect/Engineer Approval Space:

P: 800-537-2107
 F: 800-977-2747
 W: WWW.SPEAKMAN.COM
 R: 02-NOVEMBER 2019