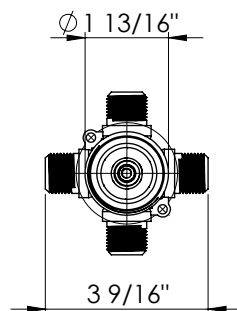
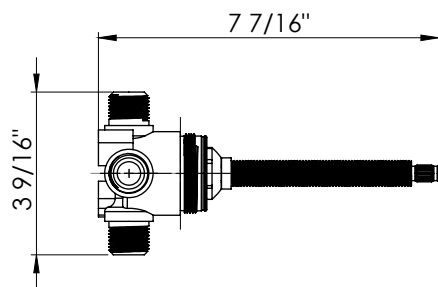


FEATURES: 3XR000

- Brass construction
- 4-Port 3 Way diverter valve
- Stop between functions



3XR100
3XR000

ASSEMBLY INSTRUCTION

3XR100 / 3XR000

THREE WAY DIVERTER VALVE WITH SHUT OFF ROUGH-IN

CONTACT US:

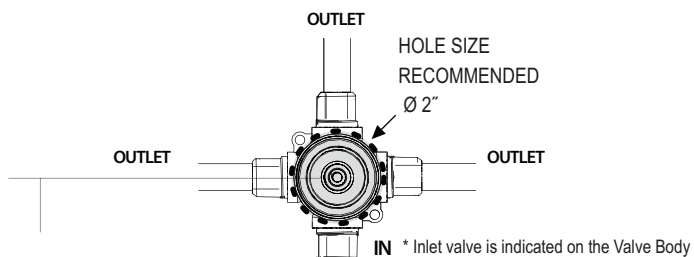
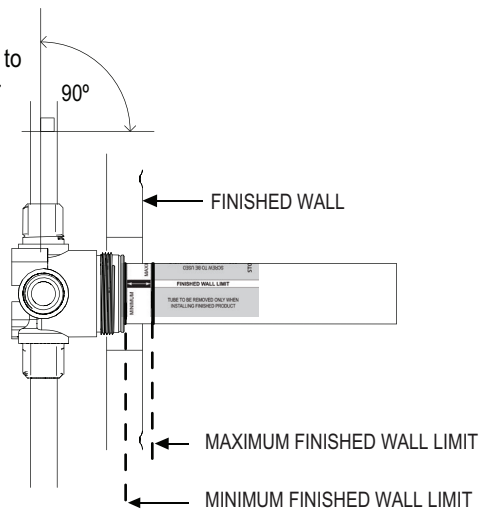
If you need assistance with installation, replacement parts or have any questions regarding your Rubinet product, please call a Customer Service representative at: 905-851-6781 toll free 1-800-461-5901 or visit www.rubinet.com

REMOVAL OF FIXTURE:

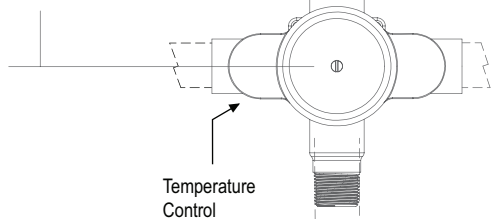
Always turn the water supply off before removing the existing faucet or disassembling a valve. Open both faucet handles to relieve water pressure and to ensure that the water has been successfully turned off.

1

Rough-in must be positioned square to the wall for proper trim installation.

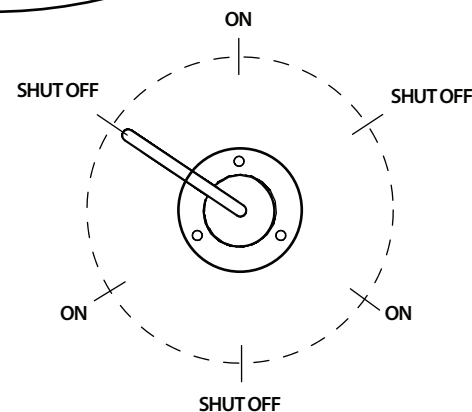
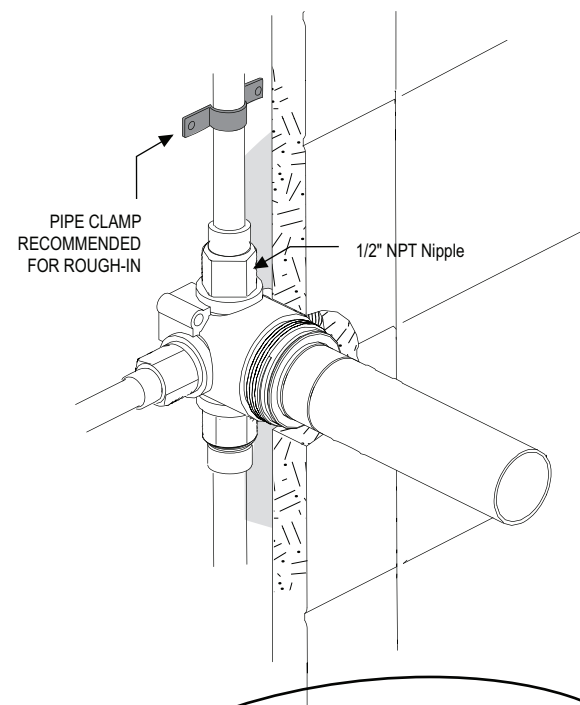


***NOTE:**
TO ACCOMMODATE TRIM,
KEEP THE CENTER OF THE DIVERTER
MINIMUM 7" AWAY FROM THE
CENTER OF THE TEMPERATURE CONTROL



* PROTECTIVE COVER MUST NOT BE REMOVED WHEN PLASTERING AND/OR TILING.

2



*** IF PEX PIPING IS TO BE USED, DO NOT USE PEX WITH A DIAMETER OF LESS THAN 3/4" FOR MAXIMUM FLOW FROM THE VALVE**