



## SINGLE LEVER COUNTRY FAUCET WITH 11" COLUMN SPOUT

ROHL Italian Country Kitchen Collection

- A3608/11LMWS (Metal Lever with Handspray)
- A3608/11LPWS (Porcelain Lever with Handspray)
- A3608/11LM (Metal Lever without Handspray)
- A3608/11LP (Porcelain Lever without Handspray)

### FEATURES

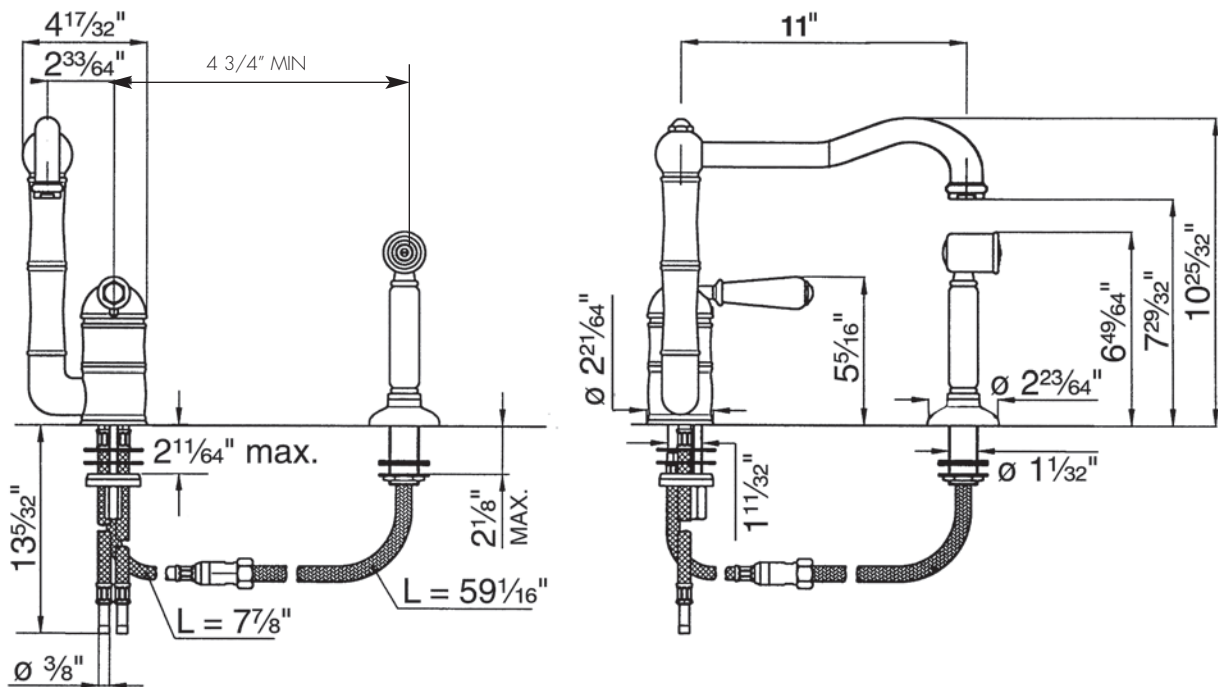
- Ceramic disc single lever cartridge
- 11" reach column spout
- Swivel spout
- 1 3/8" hole cutout
- Brass construction
- 1.5 GPM
- 2 11/64" max. depth installation
- 4" extension kit C7555EXT

### COLORS/FINISHES

- Polished Chrome
- Polished Nickel
- Satin Nickel
- Tuscan Bronze
- Inca Brass

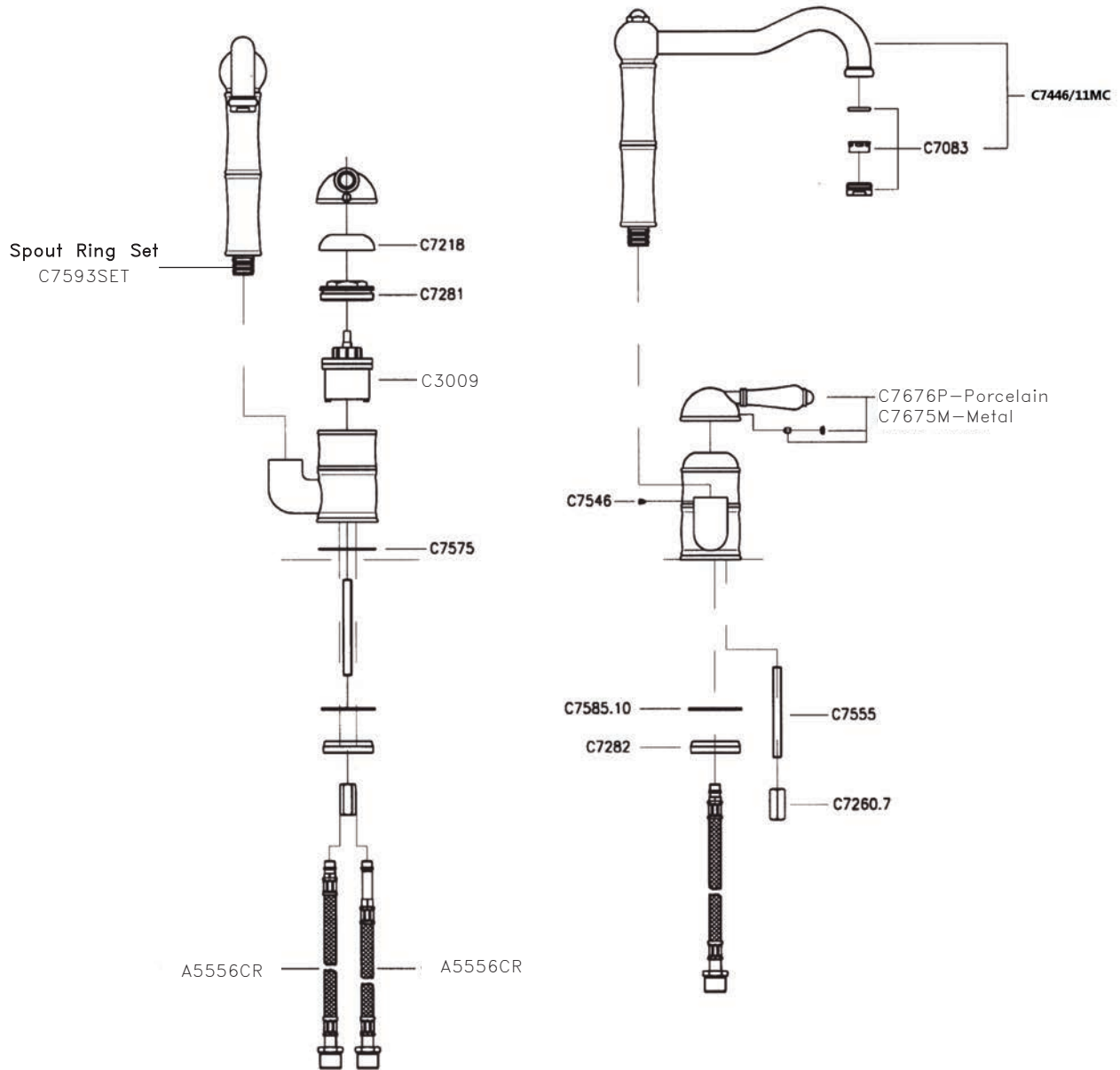
### WARRANTY

- Limited Lifetime\*
- \*No Warranty on Tuscan Brass Finish (TCB)

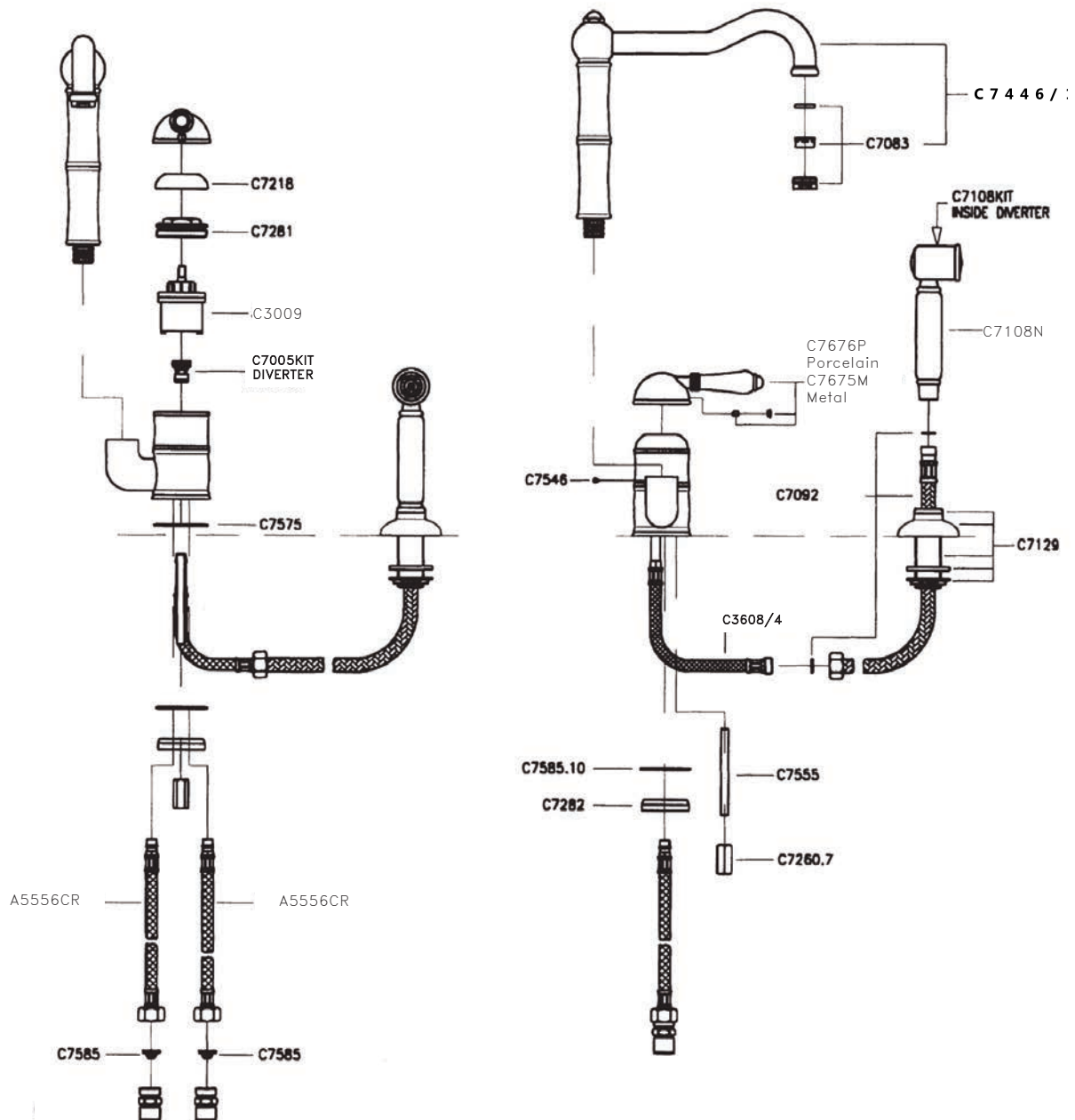


Consult your local ROHL showroom for additional information and specifications. For complete warranty details and a list of showrooms, go to [www.rohlhome.com](http://www.rohlhome.com).

## A3608/11 Spare Parts



## A3608/11WS Spare Parts



Consult your local ROHL showroom for additional information and specifications. For complete warranty details and a list of showrooms, go to [www.rohlhome.com](http://www.rohlhome.com).

Installation Instructions

# ATTENTION

## **READ THESE INSTRUCTIONS BEFORE INSTALLATION AND USE OF ALL FAUCETS AND WALL VALVES**

### **INSTALLATION and WARRANTY INSTRUCTIONS TECHNICAL INFORMATION**

All flexible hoses are designed and manufactured for use with water in exposed locations only. **Do not expose** to household cleaners, chlorine, chloride, hydrochloric acid or other corrosive chemicals.

- All connections with threads M10x1 male must be hand tighten. **Do not over tighten. Over tightening may cause damage to the hose.**

All faucets washers and o-rings are designed and manufactured for use with water. **Do not expose** to household cleaners, chlorine, chloride, hydrochloric acid or other corrosive chemicals.

Faucets are designed for use with the temperatures and pressures listed below:

- minimum cold water supply 50 °F
- maximum hot water supply 145 °F
- minimum pressure 15 psi
- maximum pressure 75 psi
- maximum fixing torque value = 10 lbf.ft.

**Please note:** The recommended best pressure for best performance is between 40 psi and 60 psi. More pressure than 60 psi or less pressure than 40 psi may affect the diverting action in side spray faucets.

- Do not use any Rohl Country/ Nicolazzi faucet with sulphorous water.
- The minimum temperature for all faucets is 50 degrees F. Below 50 degrees F will void the warranty.
- When available, filter systems must be placed between hot and cold supply lines and the faucet. Improper use or non-use of filters may make diverting faucets with hand sprays perform poorly.
- Don't modify faucet and their components
- Use only original spare parts if there are replacements to be ordered.
- Installation must be made by authorized plumbers or installers. Improper installation or diagnosis of problems is not covered by the warranty.
- Yearly maintenance of cleaning and flushing is recommended.

**Operation and use of any faucet or wall valve that do not conform to these technical instructions will void the warranty.**

## Installation Instructions

### INSTALLATION OF SINGLE HOLE FAUCET WITH SIDESPRAY MODELS INCLUDE:

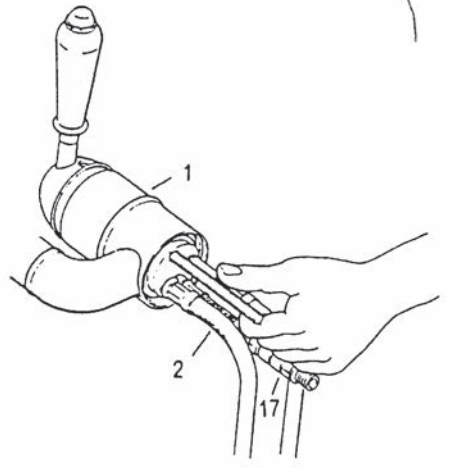
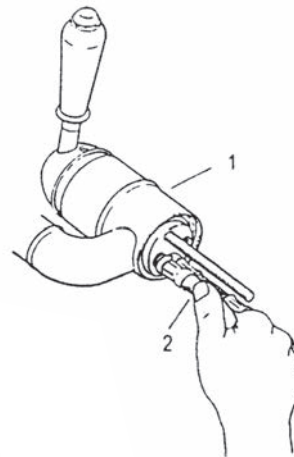
DUAL LEVER MODELS: A1679WS, A1676WS

SINGLE TOP LEVER MODELS: A3606WS, A3608, A3479

SINGLE LEVER SIDE LEVER MODELS: A3650WS

Model A3608WS shown

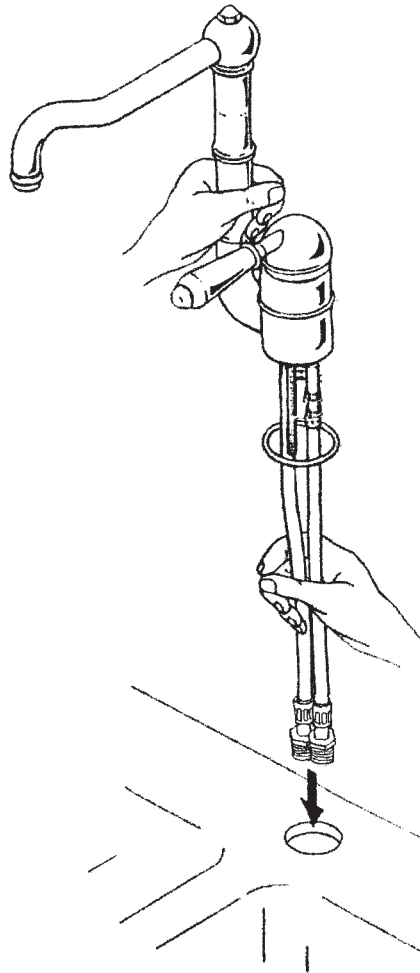
Install the supply hoses into the body  
- Note: hand tighten only, do not over tighten.



Install mounting stud securely or verify it is installed.

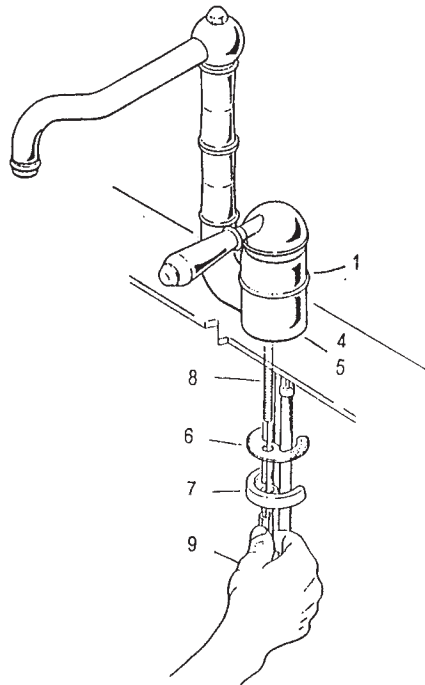
## Installation Instructions

Insert faucet into mounting hole.



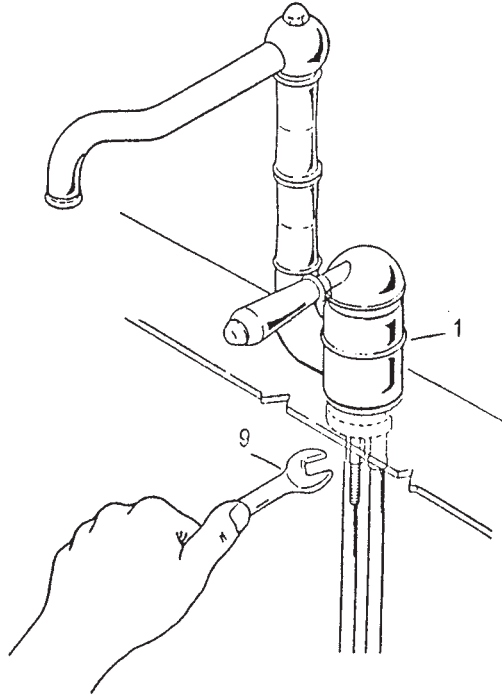
Consult your local ROHL showroom for additional information and specifications. For complete warranty details and a list of showrooms, go to [www.rohlhome.com](http://www.rohlhome.com).

## Installation Instructions



Under the sink, stack the half ring rubber gasket - 6, the half ring mounting plate - 7, then the mounting nut -9 onto the stud.

## Installation Instructions



Check the position on the sink of the faucet, then tighten the nut with a 13mm wrench.

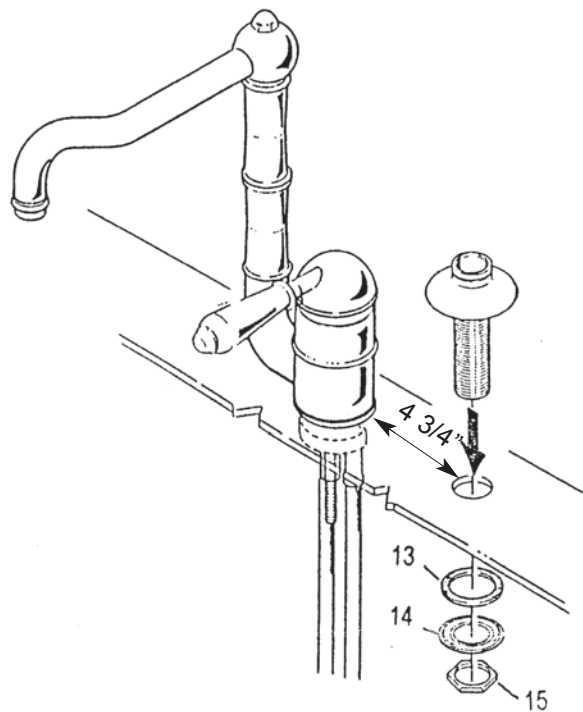
**Note: the under deck mounting surface must be flat. If the mounting surface is irregular, the nut may not be secured, and the faucet will be loose on the sink.**

Consult your local ROHL showroom for additional information and specifications. For complete warranty details and a list of showrooms, go to [www.rohlhome.com](http://www.rohlhome.com).

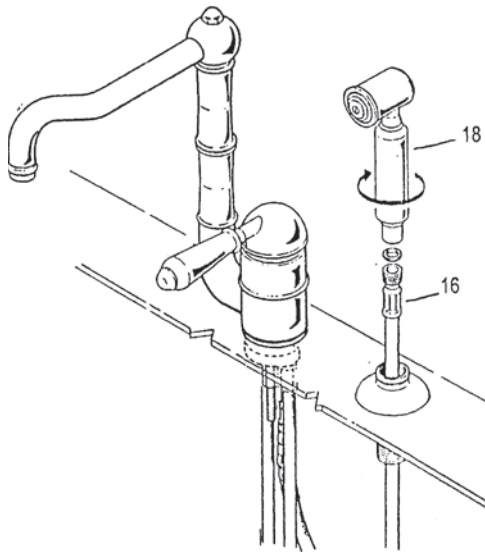


## Installation Instructions

- Insert the hand spray escutcheon into the sink hole  
**Please note: make sure the hand spray hole is a minimum of 4 3/4" away from the main body of the faucet.**
- Install the rubber washer -13, the flat metal washer -14, then the nut -15. Secure on the deck, but do not over tighten.



## Installation Instructions



- Install the black hand spray hose to the supply from the faucet under the sink.
    - Guide the 9mm male end up through the escutcheon.
    - Install the hand spray with the required flat washer with screen on top of the sink.
  - Connect the supply lines to the hot and cold supplies securely.
    - **Please note: make sure the rubber washers with the screens are used. These screens will prevent debris from entering the diverter.**
  - Turn on the water for the hot and cold.
  - Check the diverting action by operating the hand shower.
- Please note: If there is a 99% divert or small trickle of water out the spout when using the hand spray that is acceptable. Due to water conditions, a 100% diverting action is not always possible.**
- Check for leaks.

## Installation Instructions

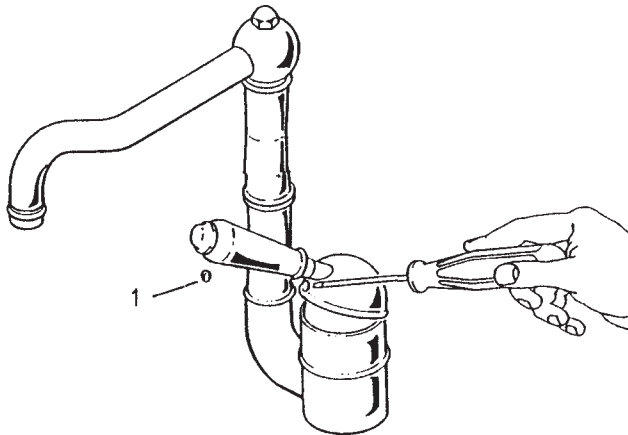
### MAINTENANCE INSTRUCTIONS FOR REPLACEMENT OF THE C3009 CARTRIDGE MODELS AFFECTED: A3608WS, A3606WS

Please note: Only replace the cartridge if, the lever is stiff on to off, or from hot to cold.

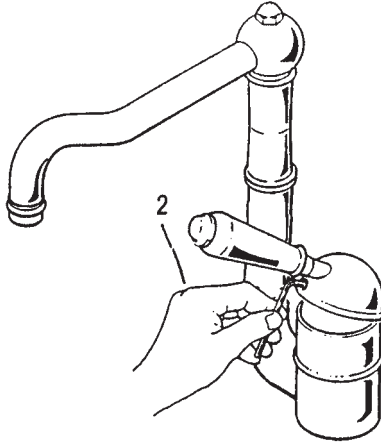
**Do not replace the cartridge if there is low flow or no flow. Low flow or no flow is caused by obstruction or kinking of supply hoses.**

***If the hand spray is leaking, do not replace the diverter. Service or replace the hand spray if there is a continuous leak.***

- Turn off the hot and cold supply lines to the faucet.
- Remove the handle and dome.
  - Remove the screw cover cap - 1

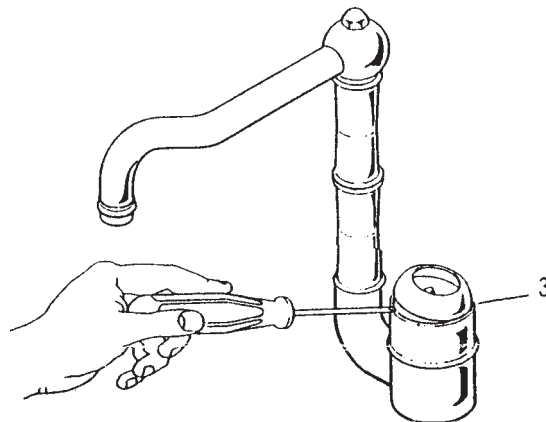


## Installation Instructions



- Tip the lever and dome up to access the 3mm allen key.
  - Loosen but do not remove the 3mm allen key
  - Note: use only a 3mm wrench. Not other size will work
- Remove lever and dome.

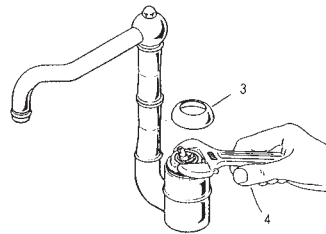
- Remove the ring nut cover-3



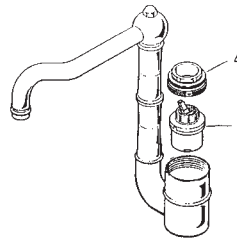
## Installation Instructions

### MAINTENANCE

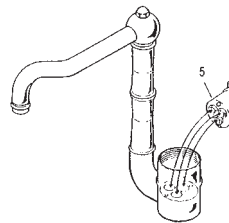
Remove the cartridge nut with a smooth jawed wrench.



Remove the cartridge.



- Clean the cavity and remove all debris.
- Liberally grease the cavity.
- Install the cartridge as shown with the ports in the right alignment.
- Install the nut
  - Correct torque on the nut is  $16 \pm$  Newton (NM)
  - If no gauge is available
    - Hand tighten the nut
    - Tighten a 1/4 turn or until snug
    - Do not over tighten



- With the dome and lever off, turn on the water and test for leaks
  - Then install the lever and dome and test the diverter by using the hand spray
- Please note: If there is a 99% divert or small trickle of water out the spout when using the hand spray that is acceptable. Due to water conditions, a 100% diverting action is not always possible.

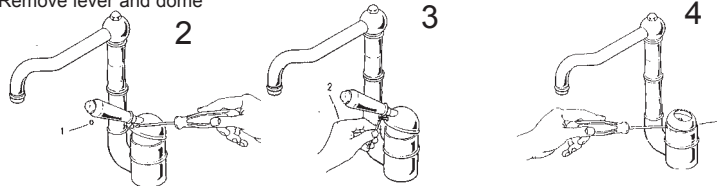
## Installation Instructions

### INSTRUCTIONS FOR REPLACEMENT OF THE C7005M DIVERTER MODELS AFFECTED: A3608WS, A3606WS

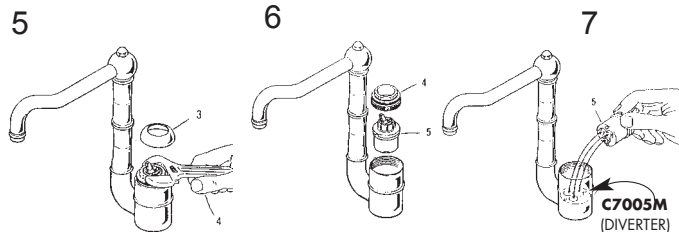
Please note: Only replace the diverter if no water is coming out the spout.

**If the hand spray is leaking, do not replace the diverter. Service or replace the hand spray if there is a continuous leak.**

1. Turn off the hot and cold supply lines to the faucet  
Remove the handle and dome
2. Remove the screw cover cap - 1
3. Tip the lever and dome up to access the 3mm allen key.  
Loosen but do not remove the 3mm allen key.  
Note: use only a 3mm wrench. No other size will work  
Remove lever and dome



4. Remove the ring nut cover - 3
  5. Remove the cartridge nut with a smooth jawed wrench.
  6. Remove cartridge  
Remove the diverter with a dental tool or needle nose pliers.
- Please note: There are several types of diverters. Verify the diverter being removed is the same as the diverter being installed. They will be similar in appearance. Improper installation will cause a malfunction.



- 7 • Clean the cavity and remove all debris.
    - Liberally grease the cavity.
    - Grease the new diverter and install.
    - Install the cartridge as shown with the ports in the right alignment.
    - Install the nut
      - Correct torque on the nut is  $16 \pm$  Newton (NM)
      - If no gauge is available
        - Hand tighten the nut
        - Tighten a 1/4 turn or until snug
        - Do not over tighten
    - With the dome and lever off, turn on the water and test for leaks
    - Then install the lever and dome and test the diverter by using the hand spray
- Please note: If there is a 99% divert or small trickle of water out the spout when using the hand spray that is acceptable. Due to water conditions, a 100% diverting action is not always possible.

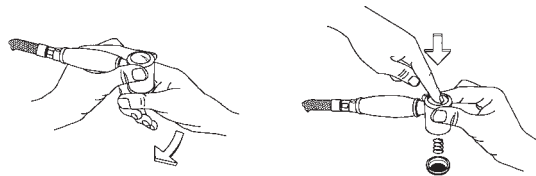
## Installation Instructions

### A- INSTRUCTIONS FOR SERVICING THE C7108N HAND SPRAY

B- Please note: If the hand spray is dripping constantly when using the faucet, the hand spray can be serviced by either stretching the spring or replacing the cartridge. A small drip after use that stops is sometimes normal, as there is a small space between the black aerator and the stop mechanism that holds a ½ teaspoon of water. A drip or two after use is normal.

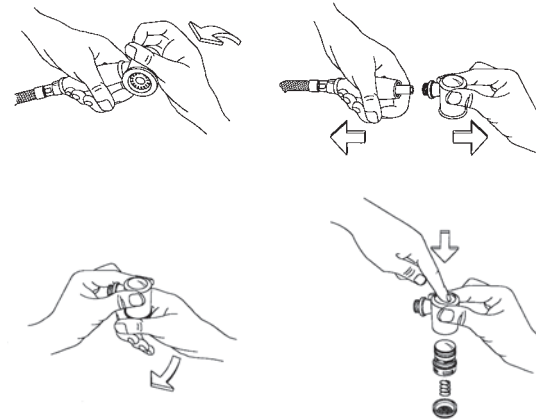
#### C- To stretch the spring:

- a. Unscrew ring c7108/7
- b. Remove c7108/8 black faceplate- Push the button or remove with tool
- c. Stretch the spring c7597 slightly
- d. Reassemble and test



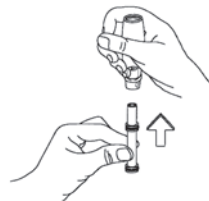
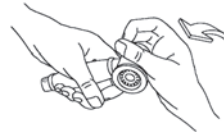
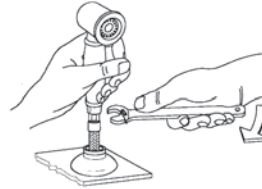
#### D- To change the cartridge in the hand spray c7108kit

- a. Unscrew the spray head- 2
- b. Unscrew the faceplate ring
- c. Push the button in to eject the cartridge from the head.
- d. Remove the decorative button from the old assembly
- e. Put on the new assembly
- f. Insert in the metal head
- g. Install the spring, aerator and ring
- h. Install back on the handle
- i. Test the unit for leaks



## Installation Instructions

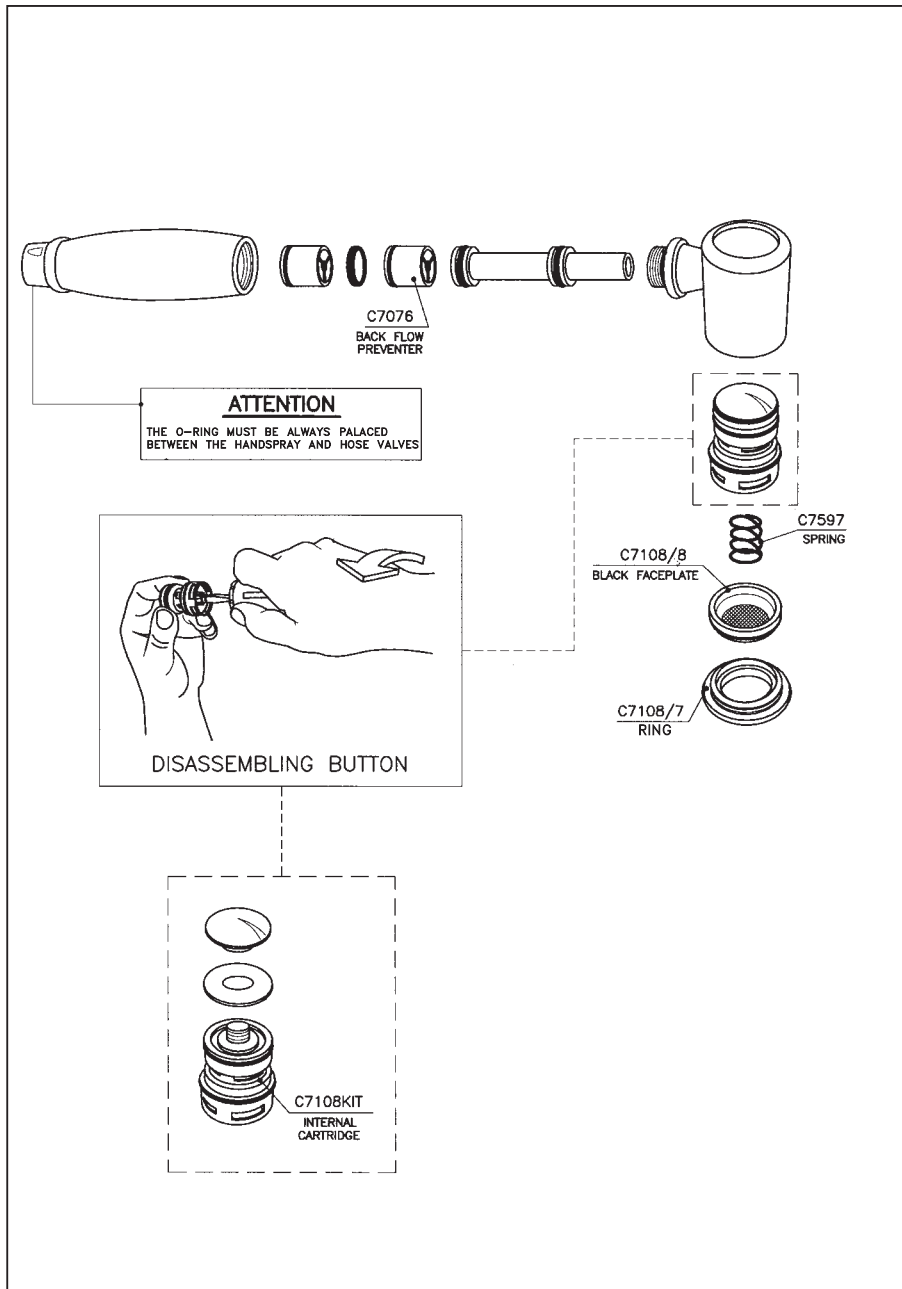
- E- Clean or replace the back flow preventer c7076**
- a. Disconnect the flexible hose from the spray head
  - b. Remove the spray head from the handle-2
  - c. Remove the nylon insert-3+4
  - d. Remove the back flow preventer- not shown
    - i. Refer to exploded drawing
  - e. Replace or clean the check valve
  - f. Insert new or serviced check valve back into the handle
    - i. Note: make sure the flow restrictor is not backwards
  - g. Reverse steps and test.





## Installation Instructions

### Spare Parts



Consult your local ROHL showroom for additional information and specifications. For complete warranty details and a list of showrooms, go to [www.rohlhome.com](http://www.rohlhome.com).

## Installation Instructions

### LOW FLOW OR NO FLOW TROUBLESHOOTING INSTRUCTIONS

(ALL MODELS: A3608 shown)

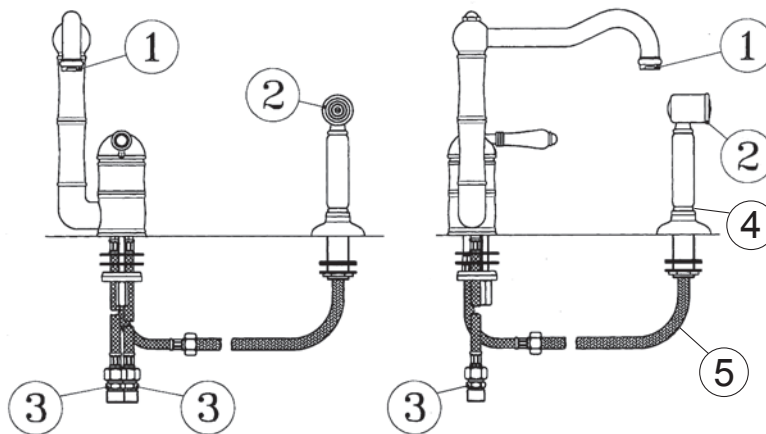
Current kitchen faucets have a flow rate of 1.5 GPM from the aerator and the hand spray.

If you are experiencing low flow from the spout: Do not change the cartridge

- Unscrew and clean the aerator 1
- Unscrew and clean the filters inside the supply connections. 3
- Check the supply lines for kinks or obstructions. 3
- Make sure the supply line stops are fully on. Not shown

If your faucet has a hand spray, and your hand spray has obstructed flow or no flow:

- Check the hand spray hose for kinks.5
- Unscrew and clean the hand spray filter.4
- Clean the aerator in the hand spray. 2



## Installation Instructions

### Care and use for finishes

Country Bath Products are all authentic finishes that have not been coated with any product.

After each use, pat the fixture down to remove any excess water. This will prevent any water spotting or mineral build-up. Use only soft liquid soap and water to clean the surface. Use a soft brush to clean any gaps. Avoid any products that have ammonia or alcohol like Windex, 409 or Fantastik. These products can damage the finish leaving black or white spots. Never use an abrasive product like Softscrub, Comet, Ajax or Bon Ami.

For deep polishing we recommend Bruno's Wax for all finishings.

Tuscan Brass is a living finish and has no warranty. It will lighten with use. To extend the life of the finish, apply Bruno's Wax by patting it on, letting it dry and patting it off. Never rub or buff this finish.

**WARNING:** the use of cleaning products not recommended might irreparably harm the surfaces of the faucets which in such case are not covered by our warranty.

### Limescale

The faucet is fitted with an aeration device in the Hot/Cold water outlet.

This may need occasional cleaning especially in hard water areas.

This is accomplished by unscrewing the outlet in a counter clockwise direction, dismantling and leaving the inner screen mesh immersed over night in vinegar or lemon juice.

Do not use chemical descaling liquids for this purpose.