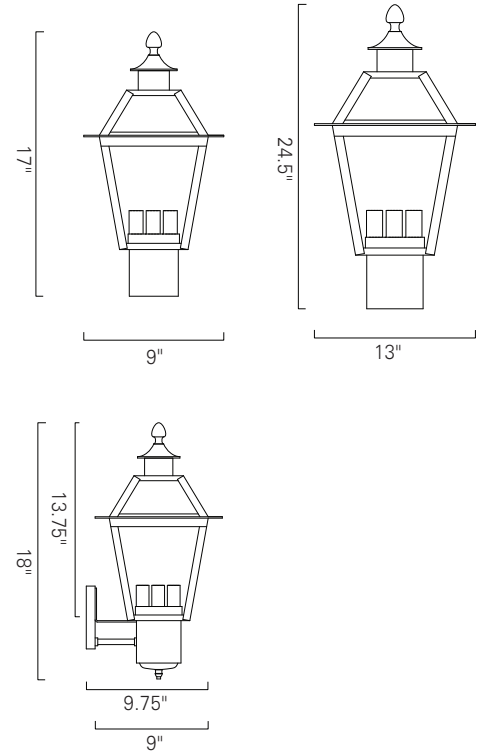


Norwell Lighting

Product Name **Lexington**
 Model Number **2233 2234 2235**
 Project Name _____
 Fixture Type _____ Quantity _____



Lexington Medium Post - 2234
 Lexington Large Post - 2235
 Black (BL) Clear (CL)

Lexington Wall - 2233

INC

| Product Name / Model / Dimensions | | | | | Finish Options | Glass | Lamping Options |
|--|--------|-------|------------|--------|-------------------------------|-------------------------------|---|
| Lexington Wall - 2233 Lexington Medium Post - 2334 Lexington Large Post - 2335 | | | | | Standard Black (BL) | Standard Clear (CL) | Standard Incandescent (3) 60 Watt Edison |
| | Height | Width | Projection | TTO | | | |
| 2233 | 18" | 9" | 9.75" | 13.75" | | | |
| 2234 | 17" | 9" | | | | | |
| 2235 | 24.5" | 13" | | | | | |
| 2233 Backplate 4.5" H x 4.5" W | | | | | | | |

7_2016