

# NEWPORT BATH

## Features

- Solid brass construction
- Traditional styling
- 74 brass spray jets
- Brass nozzles for aesthetic appeal
- 1/2" NPT inlet pivot ball fitting (3/4" NPT without pivot ball fitting)
- 9.10" (23.1 cm) showerhead diameter
- CEILING MOUNT ONLY
- 1.8 GPM (6.8 LPM) Max

## Showerhead

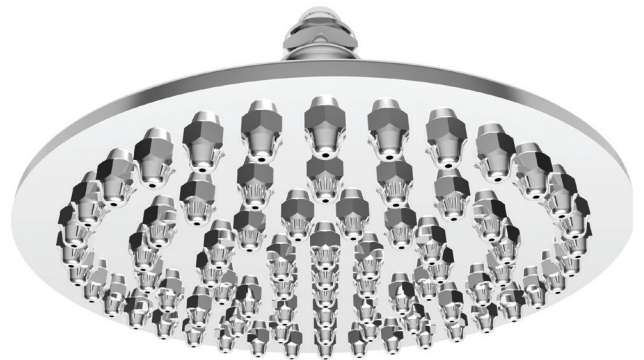
# 215



## Codes / Standards Compliance

Meets or exceeds the following at date of manufacture:

- ASME A112.18.1/CSA B125.1
- IAMPO/cUPC
- IPC
- Energy Policy Act of 1992
- EPA WaterSense
- California Energy Commission
- All applicable US Federal and State material regulations



## Colors / Finishes

- 10B: Oil Rubbed Bronze
  - 15: Polished Nickel
  - 15S: Satin Nickel - PVD
  - 26: Polished Chrome
- Other: Refer to the Newport Brass catalog for additional color/finish options.

## Specified Model

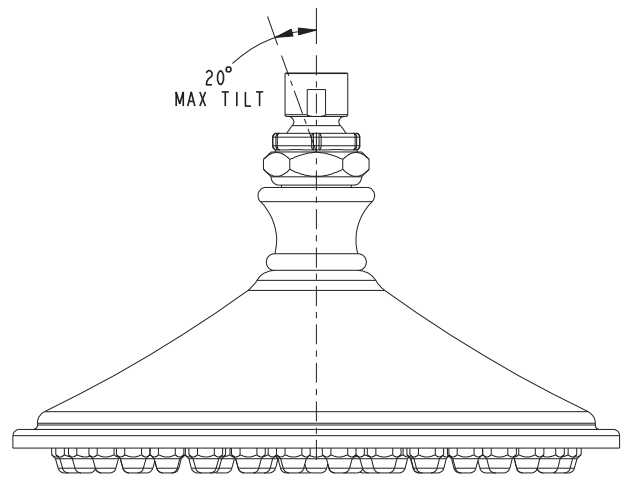
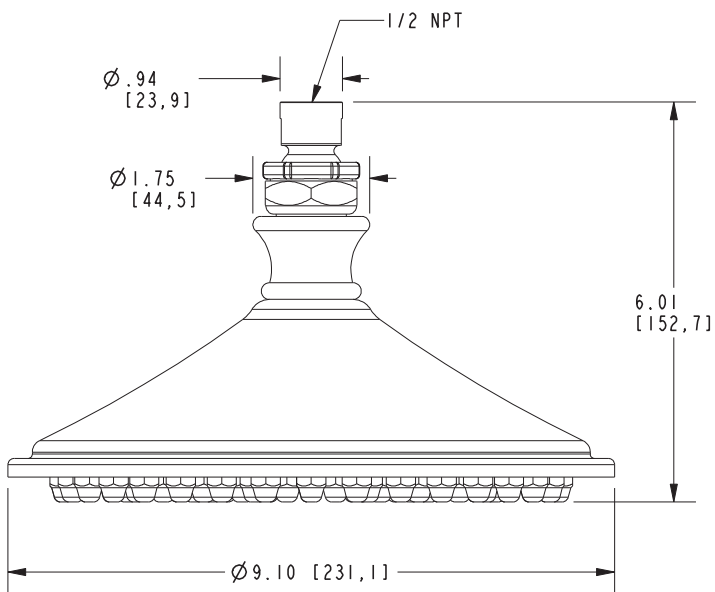
Model	Description	Colors   Finishes				
215	Showerhead	<input type="checkbox"/> 10B	<input type="checkbox"/> 15	<input type="checkbox"/> 15S	<input type="checkbox"/> 26	<input type="checkbox"/> Other

## Product Specification Add "Color / Finish" suffix to Model number, below.

The Showerhead shall be of solid brass construction. Showerhead shall have a brass nozzle spray jet design incorporating 74 individual spray nozzles. Showerhead shall have a 1/2" NPT inlet fitting (3/4" NPT when removing pivot ball fitting) and 9.10" (23.1 cm) showerhead diameter while operating at 1.8 gallons (6.8 liters) per minute maximum flow rate. Showerhead shall be Newport Brass Model 215/\_\_\_.

# 215

## PRODUCT DIMENSIONS *(Units are in inches)*



### Newport Bath Showerhead 215