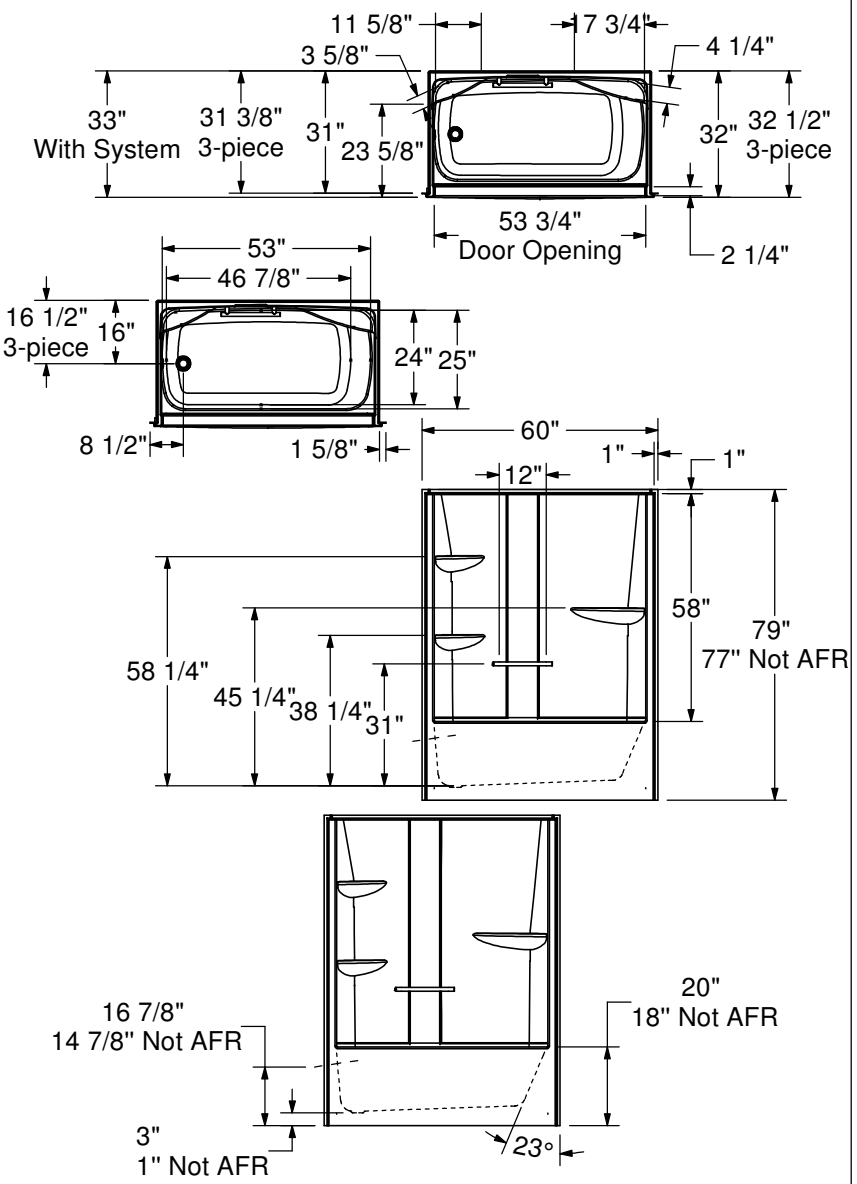
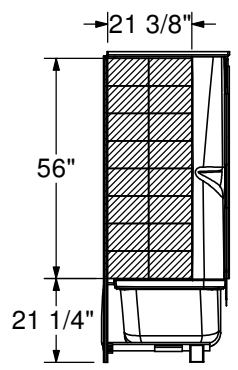


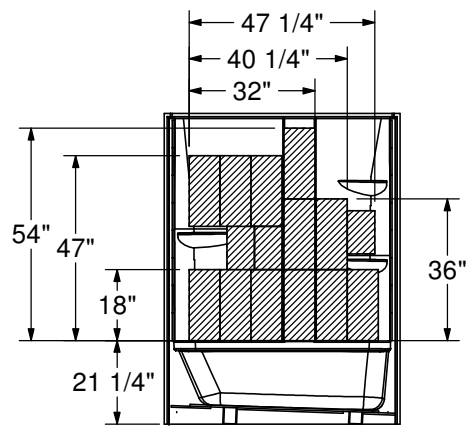
STANDARD
(Left shown, Right symmetrical)
1-PIECE MODEL SHOWN



OPTIONAL REINFORCEMENT
(Left shown, Right symmetrical)



OPTIONAL REINFORCEMENT
(Back Wall)



All dimensions are approximate. Structure measurements must be verified against the unit to ensure proper fit.