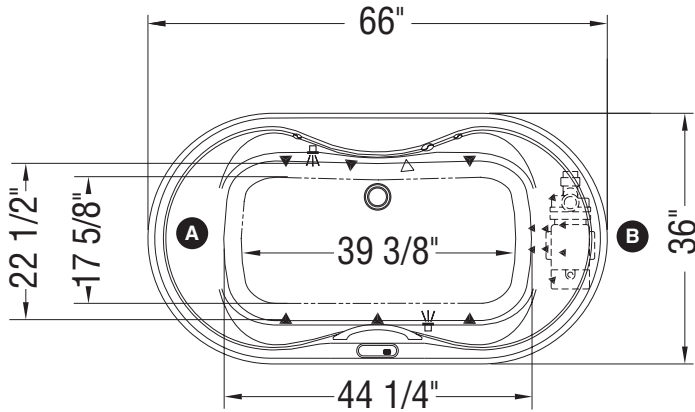
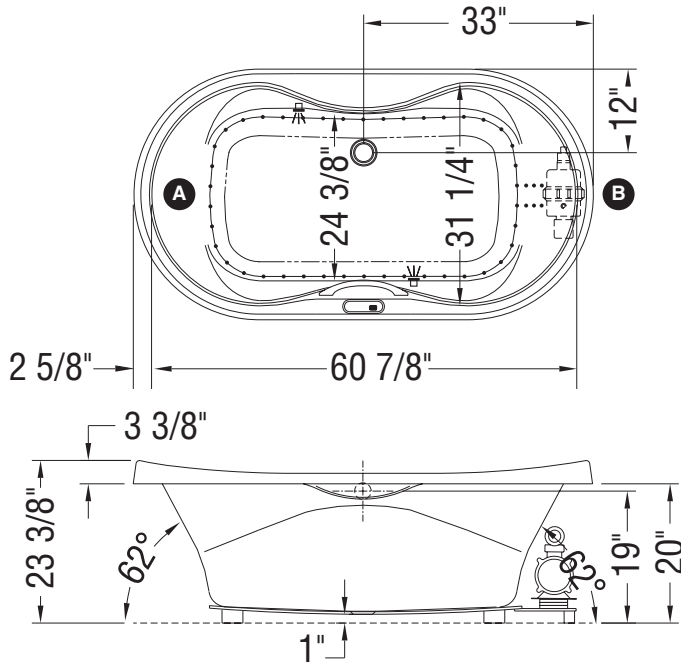


WHIRLPOOL SYSTEM



AIR SYSTEM



Note: Air / whirlpool backjets on same the side as blower / pump

(▲): Indicates whirlpool jets positioning

(△): Indicates suction positioning

(•): Indicates airjets positioning

(☼): Indicates chromatherapy light positioning

(A): Specify blower and/or pump location when ordering

(B)

(—): Indicates standard grab bar positioning

Bathtub base includes anti-vibration Neutra-Phone leg supports (not shown).

All dimensions are approximate. Structure measurements

must be verified against the unit to ensure proper fit.