

# Preston Technical Specification

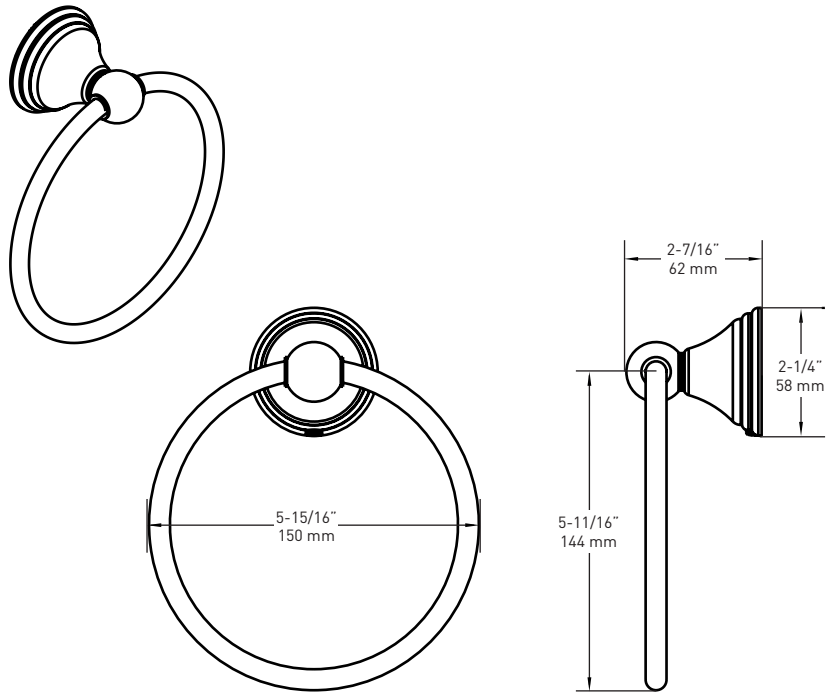
## Towel Ring

# DN8486

### Stock Numbers:

- **DN8486BL – Towel Ring**  
Matte Black Finish  
Concealed Screw Mounting
- **DN8486OWB – Towel Ring**  
Old World Bronze Finish  
Concealed Screw Mounting
- **DN8486CH – Towel Ring**  
Polished Chrome Finish  
Concealed Screw Mounting
- **DN8486MPW – Towel Ring**  
Matte Pewter Finish  
Concealed Screw Mounting
- **DN8486BN – Towel Ring**  
Brushed Nickel Finish  
Concealed Screw Mounting

### Dimensions:



### Materials:

**Towel Ring** post is die cast from highest quality zinc alloy (zamac). Castings are triple plated with a matte black, old world bronze, polished chrome, or matte pewter, brushed nickel finish.

### Installation Instructions:

Please refer to product instructions for installation steps.

### Cleaning Instructions:

To preserve the fine finish of this product, clean only with a soft damp cloth. Dry well. Do not use commercial or abrasive cleaners.

**Stock Number:** \_\_\_\_\_ Towel Ring  
By Moen Incorporated

# MOEN®

25300 AL MOEN DRIVE • NORTH OLMSTED, OH 44070  
CORPORATE HEADQUARTERS: (800) 321-8809 • FAX: (800) 848-6636  
INTERNATIONAL: (440) 962-2000 • FAX: (440) 962-2726  
CUSTOMER SERVICE (USA): 800-882-0116 • FAX: (888) 379-2720  
WWW.MOEN.COM

© 2022 Moen Incorporated. Moen is a registered trademark and Aspen is a trademark of Moen Inc.