



Specifications

Garbage Disposal Description

- Batch feed ensures safer operation – nothing can enter disposal while in use
- Disposal activated with batch feed drain stopper, no wall switch required
- GX Series is built for powerful performance and dependable functionality
- 3/4 Horsepower VORTEX™ Motor has powerful grinding capabilities to eliminate tough kitchen scraps
- VORTEX™ Motor features permanent magnet motor technology designed to help reduce jamming
- Universal Xpress Mount™ fits all Moen and most existing 3-bolt mounting assemblies
- SoundSHIELD™ sound deadening insulation
- Manual Reset Button
- Garbage disposals reduce waste sent to landfills making it an eco-friendly option for your home

Included Components

- GXB75c Batch Feed Disposal Unit with Universal Xpress Mount™
- Batch Feed Stopper
- Pre-installed Power Cord, Hardwire Capable
- Polished Stainless Steel Sink Flange
- Drain Elbow and Mounting Assembly

Warranty & Assurance

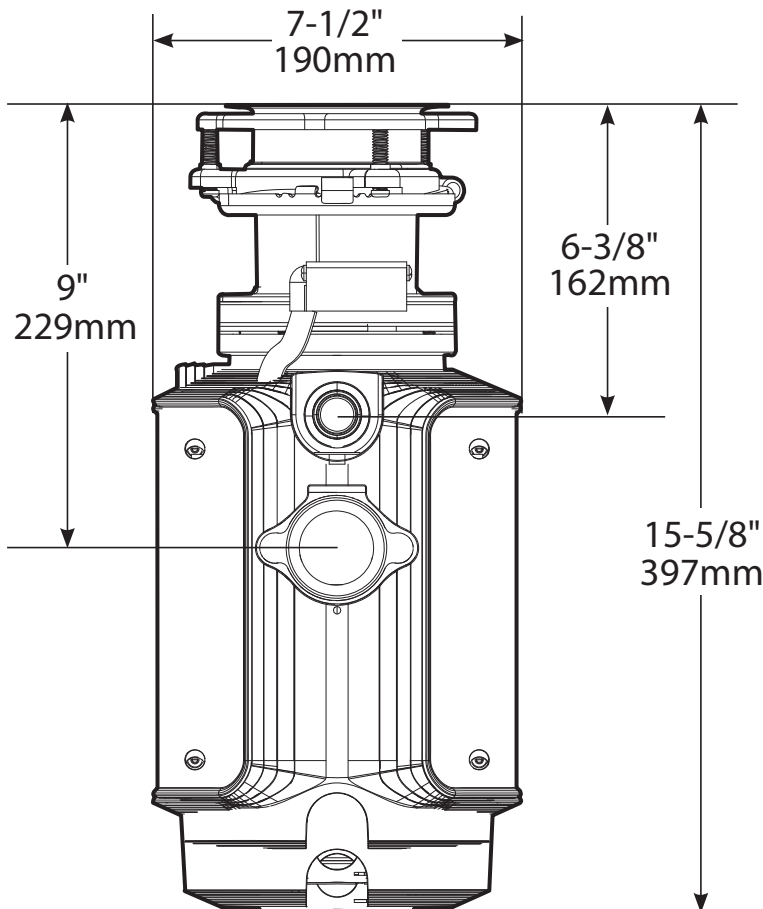
- 8 year limited warranty with in-home service
- Safe for use with properly sized septic systems



Model: GXB75c



Critical Dimensions



Specification Detail	
Horsepower	3/4 HP
Feed Type	Batch Feed
Disposal Activation	Batch Feed Stopper
Motor Type	Permanent Magnet Motor
RPM (Revolutions Per Minute)	2700
Weight	11 lbs./ 4.99 kg
Volts	115
Hz/Amps	60/4.5
Drain Connection Size	1 1/2" / 38mm
Dishwasher Connection Size	7/8" / 22mm
Maximum Sink Thickness	1/2" / 13mm
Sink Drain Flange Finish	Polished Stainless Steel
Grind Component Material	Galvanized Steel
Grind Chamber Material	Corrosion Proof Glass Filled Polyester and Nylon