

# Home Care Technical Specification

## Dual Tub Grip

# DN7075

### Stock Numbers:

- **DN7075 – Dual Tub Grip**  
White housing with pebble colored rubber pads. Adjustable on most tubs from 3” to 5.25”.

### Materials:

ASSEMBLY TESTED  
TO CONFIRM ADA  
COMPLIANCE

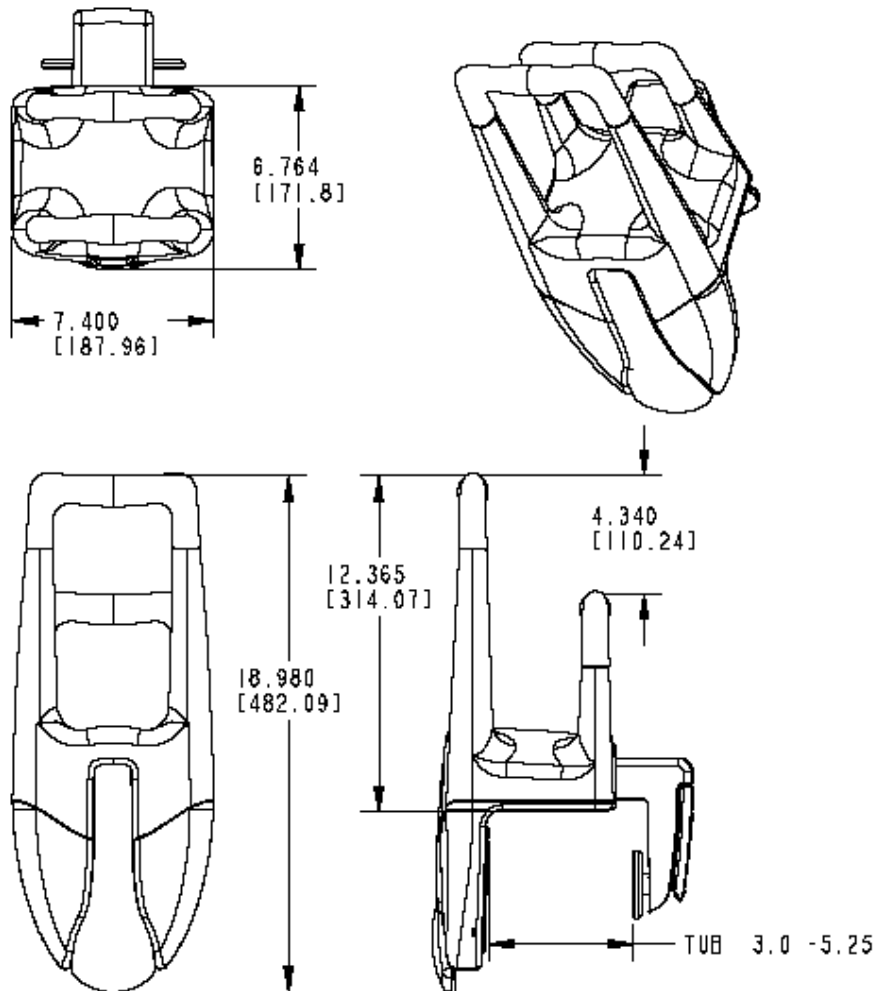


Dual Tub Grip housings are made from polypropylene. Internal components are stainless steel and coated aluminum. Grip pads are rubber.

#### WARNING

TO PREVENT SERIOUS OR FATAL INJURY: Insure product is assembled, adjusted and used properly. FOR USE ONLY BY PERSONS WEIGHING LESS THAN 350 POUNDS. Failure to follow correct installation procedures can cause the grip to become loose. Check after installation to make sure grip is secure, and check periodically to be sure grip remains secure. For use only to assist in balance while entering and exiting tub. Contact CSI immediately at 1-800-882-0116 if any components are missing or damaged. Do not modify or substitute any components. FOR QUESTIONS OR ASSISTANCE WITH ASSEMBLY CONTACT CSI AT 1-800-882-0116. Consult healthcare professional for advice and instructions specific to user's needs before use.

### Dimensions:



### Installation Instructions:

No assembly required.  
Installation diagram included in package.

Stock Number: \_\_\_\_\_ Dual Tub Grip  
By Creative Specialties



25300 AL MOEN DRIVE • NORTH OLMSTED, OH 44070  
CORPORATE HEADQUARTERS: (800) 321-8809 • FAX: (800) 848-6636  
INTERNATIONAL: (440) 962-2000 • FAX: (440) 962-2726  
CUSTOMER SERVICE (USA): 800-882-0116 • FAX: (888) 379-2720  
WWW.MOEN.COM

©Copyright Creative Specialties International

Literature #BA1688