

# Madison Technical Specification

## Paper Holder

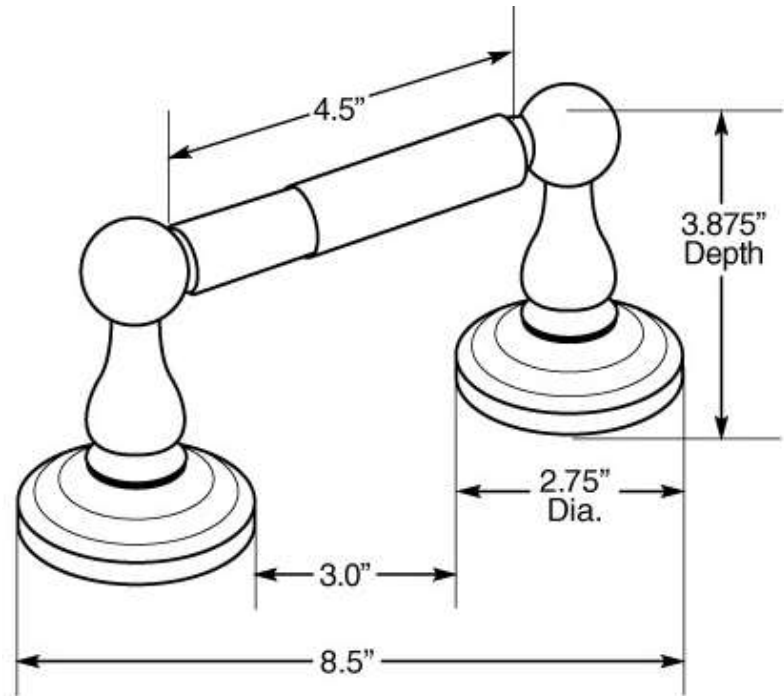
# DN6908

### Stock Numbers:

- ❑ **BP6908CH – Paper Holder**  
Polished Chrome Finish  
Concealed Screw Mounting
- ❑ **BP6908OWB - Paper Holder**  
Old World Bronze Finish  
Concealed Crew Mounting
- ❑ **DN6908PW (BP6908PW) – Paper Holder**  
Pewter Finish  
Concealed Screw Mounting

“BP” skus in wholesale packaging

### Dimensions:



### Materials:

**Paper Holder** is die cast from highest quality zinc alloy (zamac) and finished in a high quality powder coating or metallic plated finish. Matching roller is plastic and spring loaded.

### Installation Instructions:

1. Position the mounting template on the wall in the desired location. Using a level, align the template and tape it to the wall.
2. Place each mounting plate on the template with “UP” facing you.
3. One at a time, place each anchor screw through the mounting plate, centered in each large hole. Using a Phillips screwdriver, turn the anchor screw while applying pressure. Screw will self drill and tap into drywall. Do not over tighten.
4. Only insert screw  $\frac{1}{2}$  to  $\frac{3}{4}$  of the way into wall.
5. After all screws are installed, tear the template away from the wall
6. Tighten all 4 screws. Do not over tighten.
7. Position each end post with the setscrew down and place over mounting plate. Tighten the setscrew at the bottom of each base.
8. Compress the paper holder bar and place into both post holes.

### Cleaning Instructions:

To preserve the fine finish of this product, clean only with a soft damp cloth. Dry well. Do not use commercial or abrasive cleaners.

**Stock Number:** \_\_\_\_\_ **Paper Holder**  
By Creative Specialties

25300 AL MOEN DRIVE • NORTH OLMSTED, OH 44070  
CORPORATE HEADQUARTERS: (800) 321-8809 • FAX: (800) 848-6636  
INTERNATIONAL: (440) 962-2000 • FAX: (440) 962-2726  
CUSTOMER SERVICE (USA): 800-882-0116 • FAX: (888) 379-2720  
WWW.MOEN.COM

©Copyright Creative SpecialtiesInternational

Literature #BA1015

