

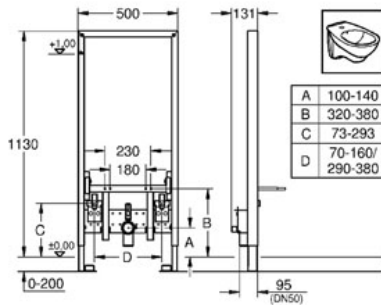
Rapid SL for Bidet

MODEL # 38553

Pure Freude an Wasser



GROHE America, Inc | 200 North Gary Avenue, Suite G, Roselle, IL 60172
Phone: +1 (800) 444-7643 | Fax: +1 (800) 225-2778 | us-customerservice@grohe.com



Product Description: Rapid SL for Bidet

Standard Specification:

- **44" installation height**
- Powder coated self-supporting steel frame
- For on-the-wall installations or studded walls
- Pre-assembled
- Height adjustable fitting connections
- For single or rail installation
- Quick adjustment, lockable
- Mounting material
- TÜV approved
- Bidet mounting screws
- HT-outlet elbow (Ø 2")
- Seal (Ø 1 1/4")
- 2 x 1/2" noise protected fitting connections
- Mounting material for bidet
- **Accessories sold separately for-on-the-wall installation**

Color:

□ 38553 001