

BATHROOM
Full Thermostatic Shower System
w/ Diverter Valve
GB5.122A-LM46S

GRAFF®



Information

- 3/4" Thermostatic Valve
- 1/2" 4-Port Diverter Valve with 3 outlets and off function
- 8" Showerhead with 12" Arm & Flange
- Swivel Body Sprays (3 pieces)
- Handshower Set w/Wall Bracket
- Showerhead Features No-Clog, Easy-Clean Spray Nozzles
- Flow rates: showerhead \leq 1.8 max gpm, handshower \leq 1.5 max gpm, body sprays \leq 1.5 max gpm each

BATHROOM
Rough
G-8005

GRAFF®



Information

- 18.4 gpm @ 60 psi
- 3/4" universal inlets/outlets with female threads
- Built-in service stops
- Complete serviceability from front of all units
- Supplied with protective plastic cover
- Thermostatic valve uses a paraffin wax cartridge

Finishes



Brushed
Nickel



Olive Bronze



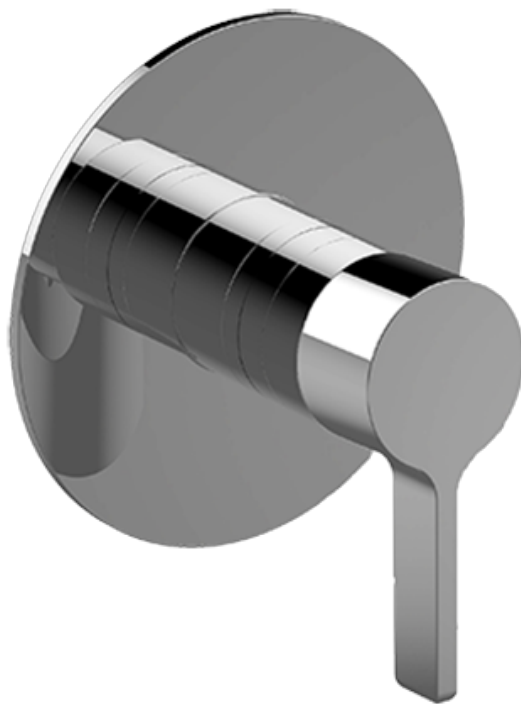
Polished
Chrome



Polished
Nickel

BATHROOM
Terra Thermostatic Valve Trim
with Handle
G-8036-LM46S-T

GRAFF[®]



Information

- Single metal handle and decorative trim plate
- Use with G-8000 or G-8005 thermostatic rough valve
- ADA

Finishes



Brushed
Nickel



Olive Bronze

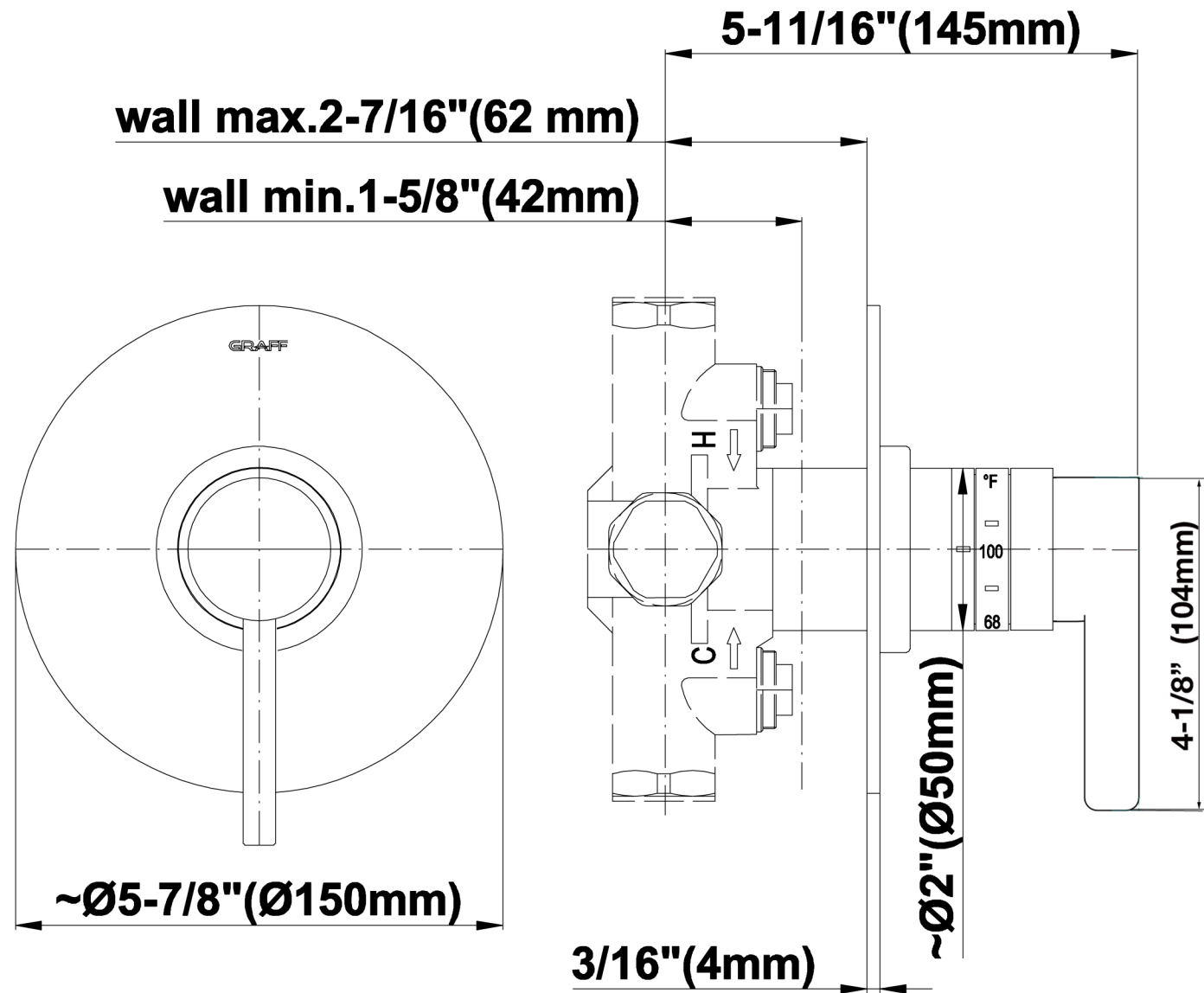


Polished
Chrome



Polished
Nickel

G-8036



BATHROOM
3-Way High Flow Transfer Rough
Valve WITH off function
G-8050

GRAFF®



Information

- Intended for use with Thermostatic Shower Systems
- 1/2" 3-way diverter valve with 3 outlets and off function
- Universal inlets/outlets with female threads
- Operates one function at a time
- Supplied with protective plastic cover
- CALGreen compliant depending on functions
- CALGreen

Finishes



Brushed
Nickel



Olive Bronze

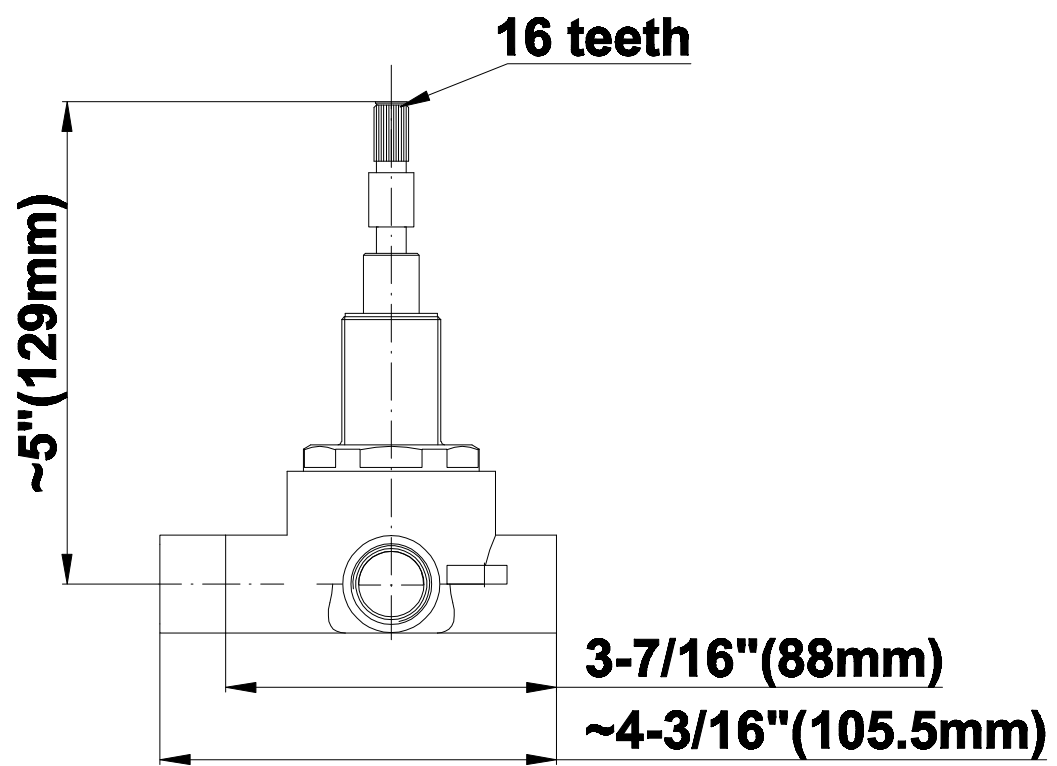
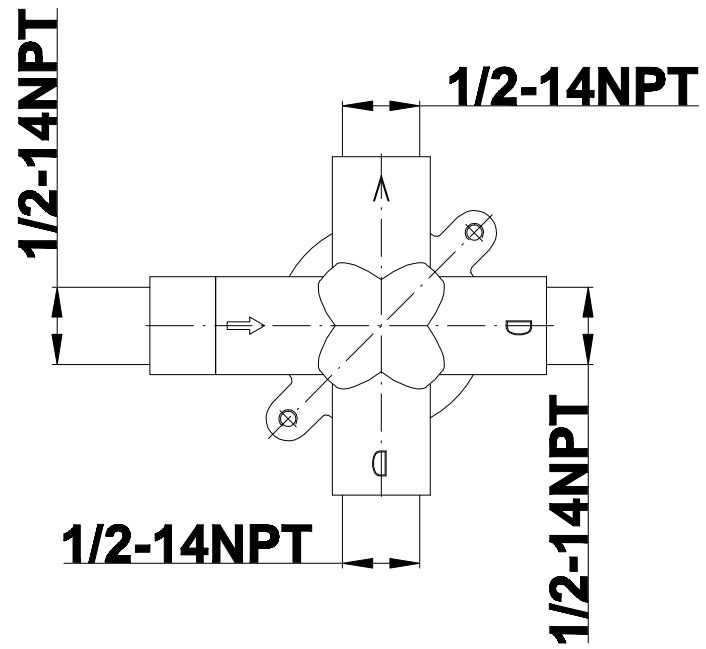


Polished
Chrome



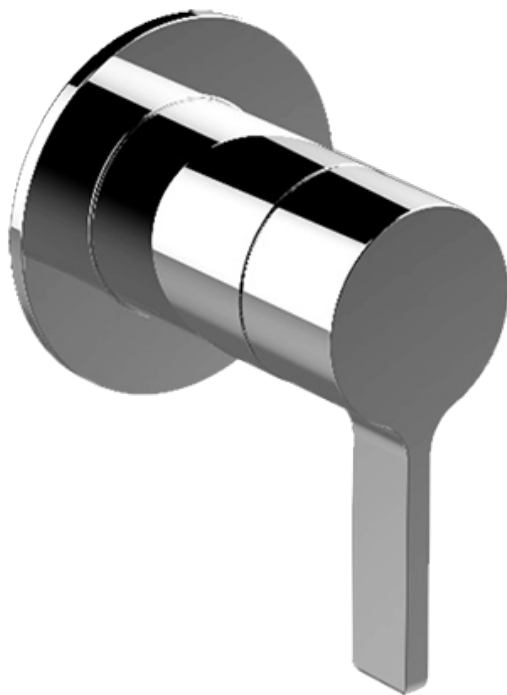
Polished
Nickel

G-8050



BATHROOM
Terra High Flow Diverter Valve
Trim with Handle
G-8063-LM46S-T

GRAFF[®]



Information

- Single metal handle and decorative trim plate
- Use with G-8050 thermostatic rough diverter valve
- Optional 4-Port Diverter Valve Rough & Trim with off function
- ADA

Finishes



Brushed
Nickel



Olive Bronze



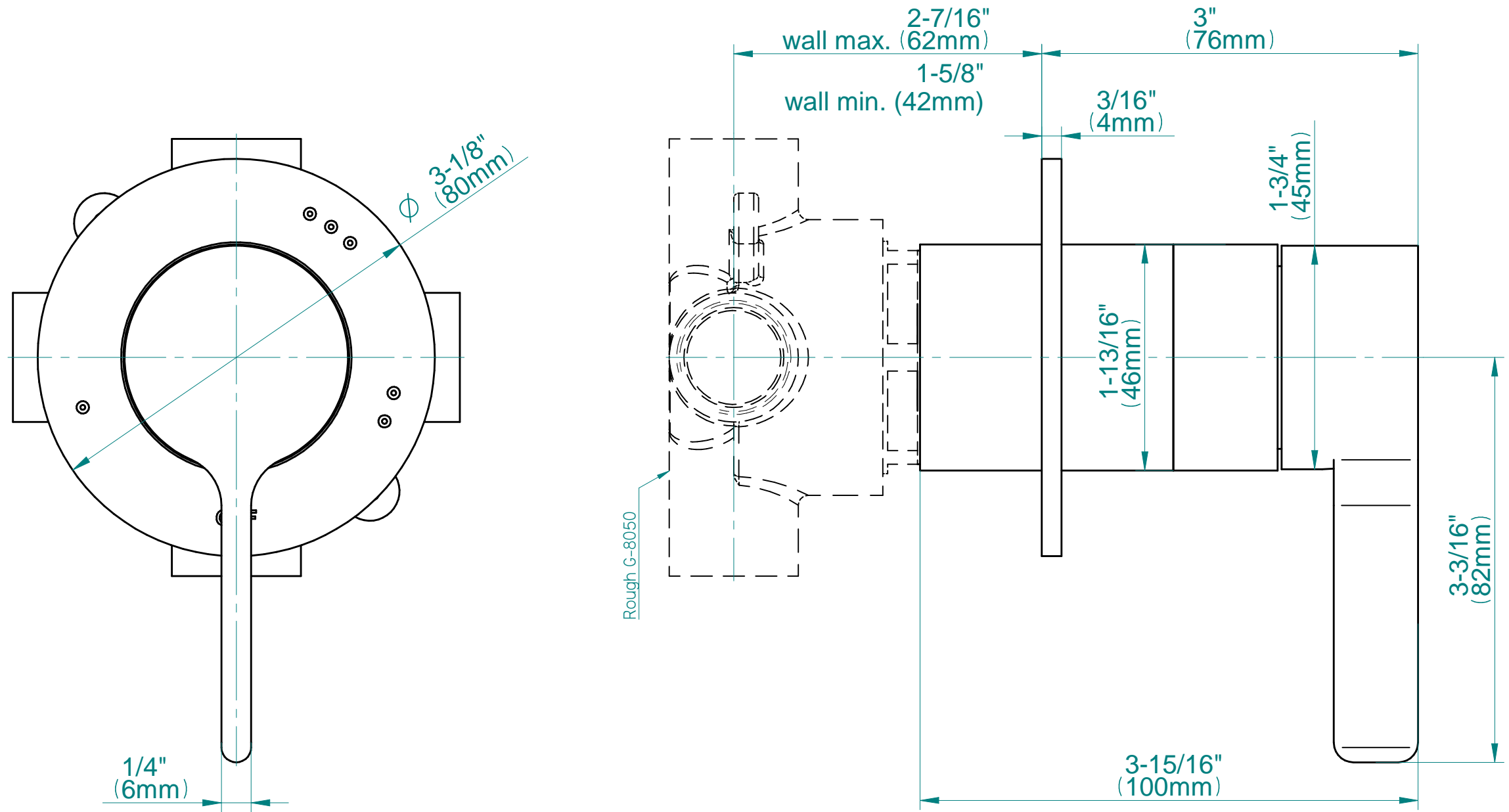
Polished
Chrome



Polished
Nickel

G-8063-LM46S-T

TERRA Series



BATHROOM
8" Round Brass Showerhead
G-8449

GRAFF[®]



Information

- 1/4" thick
- 169 no-clog, easy-clean rubber spray nozzles
- Recommended use with ceiling shower arm
- Recommended for use at no more than 10 degrees tilt
- Showerhead flow rate ≤ 1.8 max gpm
- CALGreen

Finishes



Brushed
Nickel



Olive Bronze



Polished
Chrome



Polished
Nickel

G-8449

Aqua-Sense Collection
Contemporary 8" Round Showerhead

GRAFF[®]
CUTTING EDGE DESIGN

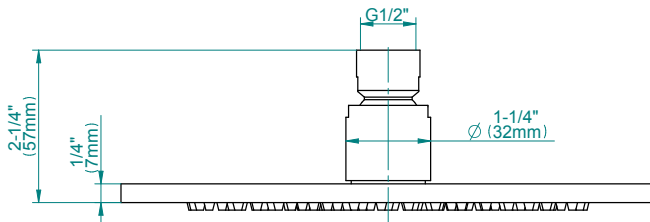
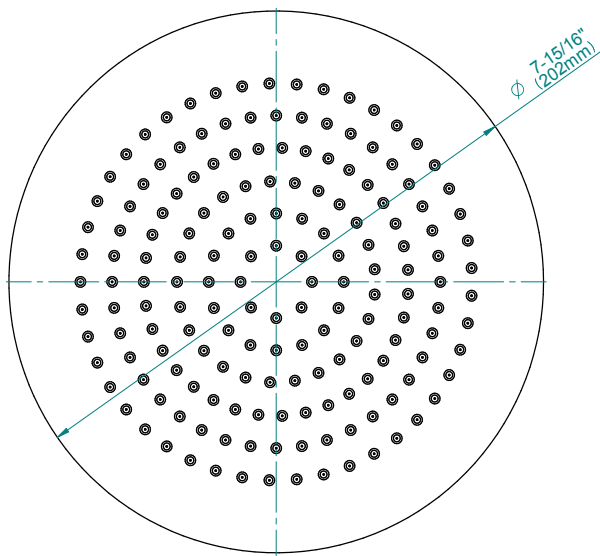
Product Features

- 1/4" thick
- 169 no-clog, easy-clean rubber spray nozzles
- Showerhead flow rate ≤ 1.8 max gpm

Available Finishes

- Polished Chrome
G-8449-PC
- Brushed Nickel
G-8449-PN
- Polished Nickel
G-8449-BNi
- Unfinished Brass*
G-8449-UB*
- Steinox
G-8449-SN
- Olive Brass*
G-8449-OB*
- Architectural Black with Chrome Accents*
G-8449-PC/BK*
- Brushed Gold*
G-8449-BAU

* Special order finish- call for availability



Code Compliance

- CALGreen

Warranty

- Limited lifetime warranty

For complete warranty information go to www.graff-designs.com/en-nam/warranty

The measurements shown are for reference only. Products and specifications shown are subject to change without notice. Revised 12/2017

www.graff-designs.com | phone: 800-954-4723

BATHROOM

Contemporary Flush Mount Body
Spray w/ Solid Brass Swivel Head
G-8495

GRAFF[®]



Information

- 12 no-clog, easy-clean silicon jets
- Metal ball-joint allows for 18° angle adjustment of body spray
- Brass wall escutcheon and flush-mounted trim
- 1/2" NPT female thread inlet
- Body spray flow rate ≤ 1.5 max gpm

Finishes



Brushed
Nickel



Olive Bronze



Polished
Chrome



Polished
Nickel

G-8495

Shower Components

Contemporary Flush-Mount Body Spray with Solid Brass Swivel Head

GRAFF®



Product Features

- 12 no-clog, easy-clean silicone jets
- Metal ball-joint allows for 18° angle adjustment of body spray
- Brass wall escutcheon and flush-mounted trim
- 1/2" NPT female thread inlet
- Body spray flow rate ≤ 1.5 max gpm

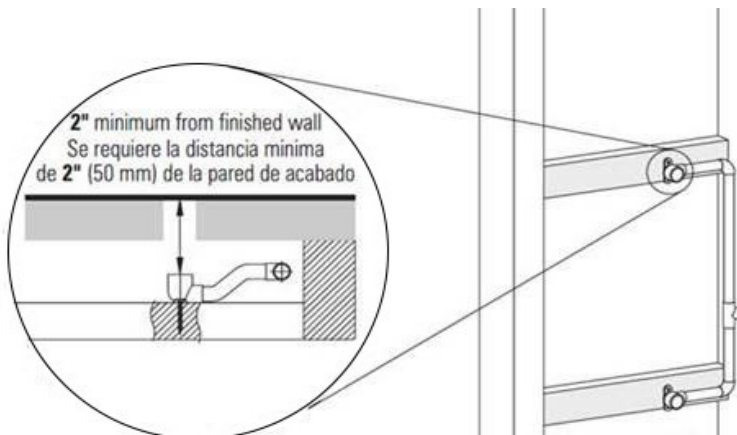
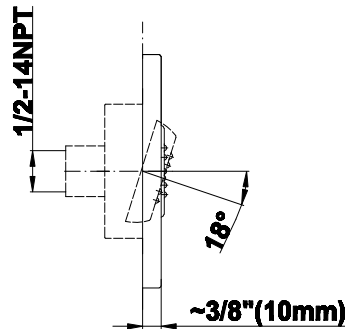
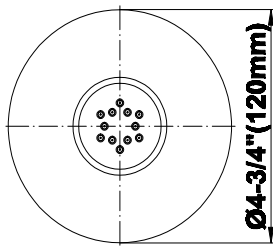
Warranty

- Limited lifetime warranty

For complete warranty information go to www.graff-designs.com/en-nam/warranty

Available Finishes

- Polished Chrome
G-8495-PC
- Polished Nickel
G-8495-PN
- Brushed Nickel
G-8495-BNi
- Unfinished Brushed Brass*
G-8495-UBB*
- Unfinished Brass*
G-8495-UB*
- Matte Black*
G-8495-MBK*
- Architectural Black*
G-8495-BK*
- Architectural White*
G-8495-WT*
- Olive Brass*
G-8495-OB*
- Gunmetal*
G-8495-GM*
- Vintage Brushed Brass*
G-8495-VBB*
- Steelnox
G-8495-SN
- OR'osa PVD*
G-8495-RG*
- Onyx PVD*
G-8495-OX*
- Polished Brass PVD*
G-8495-PB*
- Brushed Brass PVD*
G-8495-BB*
- Brushed Gold*
G-8495-BAU*
- Gold*
G-8495-AU*
- Gunmetal Distressed*
G-8495-GMD*



* Special order finish- call for availability

BATHROOM
Contemporary 12" Shower Arm
G-8503

GRAFF®



Information

- Includes arm and solid round flange
- 1/2" NPT male thread inlet
- For use with all showerheads

Finishes



Brushed
Nickel



Olive Bronze



Polished
Chrome



Polished
Nickel

G-8503

Shower Components

Contemporary 12" Shower Arm

GRAFF®



Product Features

- Includes arm and round flange
- 1/2" NPT male thread inlet
- For use with all showerheads

Warranty

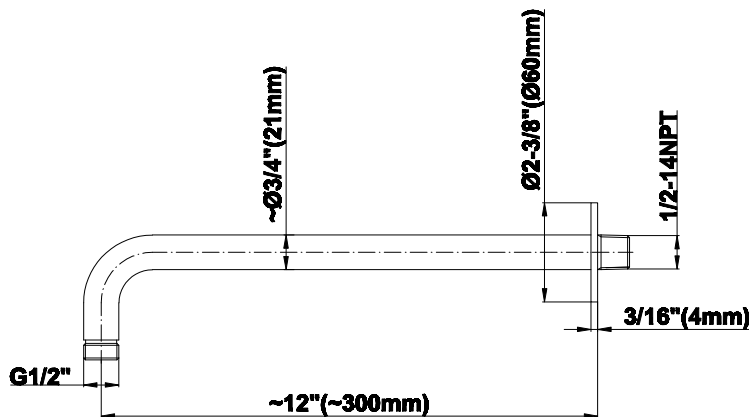
- Limited lifetime warranty

For complete warranty information go to www.graff-designs.com/en-nam/warranty

Available Finishes

- Polished Chrome
G-8503-PC
- Polished Nickel
G-8503-PN
- Brushed Nickel
G-8503-BNi
- Unfinished Brushed Brass*
G-8503-UBB*
- Unfinished Brass*
G-8503-UB*
- Matte Black*
G-8503-MBK*
- Architectural Black*
G-8503-BK*
- Architectural White*
G-8503-WT*
- Steelnox (Satin Nickel)*
G-8503-SN*
- Olive Brass*
G-8503-OB*
- Gunmetal*
G-8503-GM*
- Vintage Brushed Brass*
G-8503-VBB*
- OR'osa PVD*
G-8503-RG*
- Brushed OR'osa PVD*
G-8503-BRG*
- Onyx PVD*
G-8503-OX*
- Brushed Onyx PVD*
G-8503-BOX*
- Polished Brass PVD*
G-8503-PB*
- Brushed Brass PVD*
G-8503-BB*
- 24K Brushed Gold*
G-8503-BAU*
- 24K Gold*
G-8503-AU*
- Gunmetal Distressed*
G-8503-GMD*

* Special order finish- call for availability



The measurements shown are for reference only. Products and specifications shown are subject to change without notice. Revised 10/2019

www.graff-designs.com | phone: 800-954-4723

BATHROOM
59" Shower Hose
G-8605

GRAFF®



Information

- Brass spiral flexible hose with conical nut

Finishes



Brushed
Nickel



Olive Bronze



Polished
Chrome



Polished
Nickel



Product Features

- Brass spiral flexible hose with conical nut

Warranty

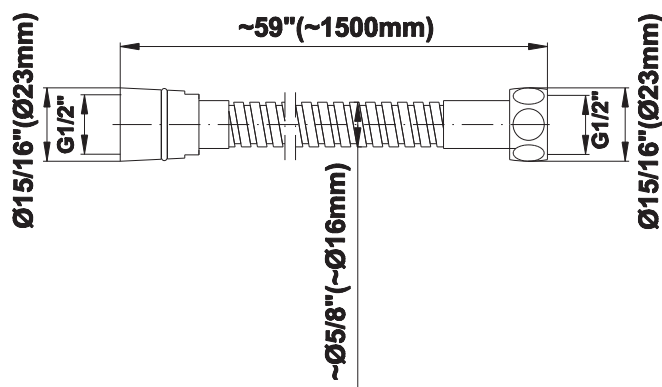
- Limited lifetime warranty

For complete warranty information go to www.graff-designs.com/en-nam/warranty

Available Finishes

- Polished Chrome
G-8605-PC
- Polished Nickel
G-8605-PN
- Brushed Nickel
G-8605-BNi
- Unfinished Brushed Brass*
G-8605-UBB*
- Unfinished Brass*
G-8605-UB*
- Matte Black*
G-8605-MBK*
- Architectural Black*
G-8605-BK*
- Architectural White*
G-8605-WT*
- Olive Brass*
G-8605-OB*
- Gunmetal*
G-8605-GM*
- Vintage Brushed Brass*
G-8605-VBB*
- Steelnox (Satin Nickel)
G-8605-SN
- 24K Brushed Gold*
G-8605-BAU*
- 24K Gold*
G-8605-AU*
- Gunmetal Distressed*
G-8605-GMD*

* Special order finish- call for availability



BATHROOM
Contemporary Round Wall Supply
Elbow
G-8613

GRAFF[®]



Information

- 1/2" NPT female thread inlet

Finishes



Brushed
Nickel



Olive Bronze



Polished
Chrome



Polished
Nickel

G-8613

Shower Components Contemporary Round Wall Supply Elbow



Product Features

- 1/2" NPT female thread inlet

Warranty

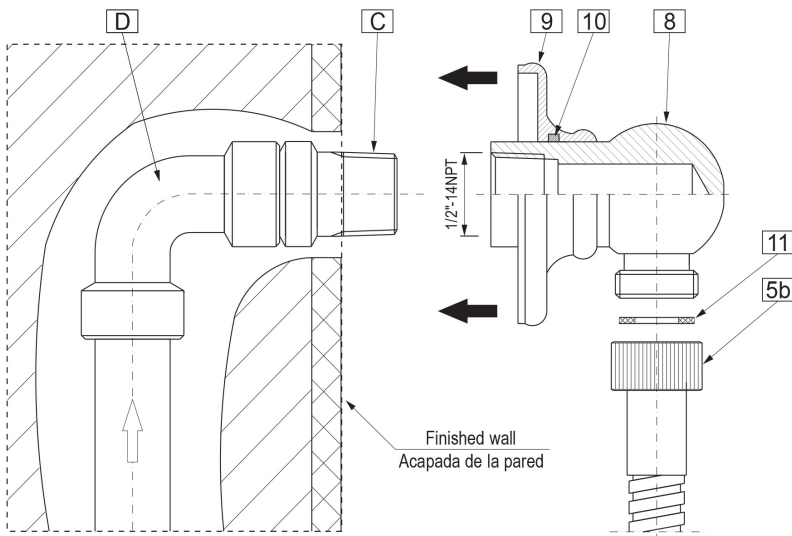
- Limited lifetime warranty

For complete warranty information go to www.graff-designs.com/en-nam/warranty

Available Finishes

- Polished Chrome
G-8613-PC
- Polished Nickel
G-8613-PN
- Brushed Nickel
G-8613-BNi
- Unfinished Brushed Brass*
G-8613-UBB*
- Unfinished Brass*
G-8613-UB*
- Matte Black*
G-8613-MBK*
- Architectural Black*
G-8613-BK*
- Architectural White*
G-8613-WT*
- Steinox (Satin Nickel)
G-8613-SN
- Olive Brass*
G-8613-OB*
- Gunmetal*
G-8613-GM*
- Vintage Brushed Brass*
G-8613-VBB*
- OR'osa PVD*
G-8613-RG*
- Brushed OR'osa PVD*
G-8613-BRG*
- Onyx PVD*
G-8613-OX*
- Brushed Onyx PVD*
G-8613-BOX*
- Polished Brass PVD*
G-8613-PB*
- Brushed Brass PVD*
G-8613-BB*
- 24K Brushed Gold*
G-8613-BAU*
- 24K Gold*
G-8613-AU*
- Gunmetal Distressed*
G-8613-GMD*

* Special order finish- call for availability



The measurements shown are for reference only. Products and specifications shown are subject to change without notice. Revised 12/2019

www.graff-designs.com | phone: 800-954-4723

BATHROOM
Contemporary Round Handshower
G-8614

GRAFF®



Information

- Solid brass construction
- Smooth, all-metal handle
- Shower hose not included
- Handshower flow rate ≤ 1.5 max gpm
- This is a discontinued product. Please see below for similar product recommendations.
- CALGreen

Finishes



Brushed
Nickel



Olive Bronze

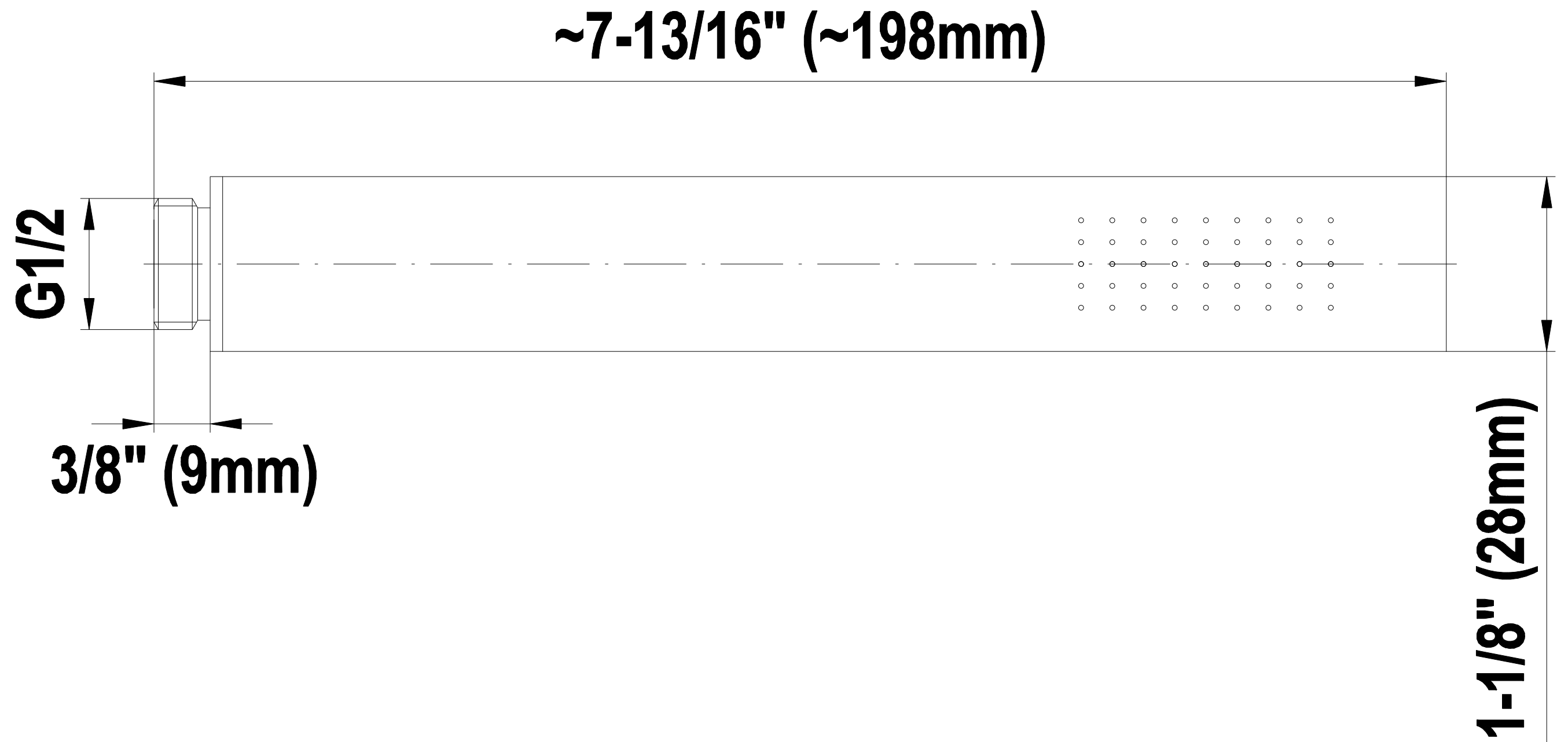


Polished
Chrome



Polished
Nickel

Hand Held Shower G-8614



BATHROOM
Contemporary Round Wall
Bracket for Handshower
G-8642

GRAFF®



Information

- Solid brass construction
- Swivel holder

Finishes



Brushed
Nickel



Olive Bronze



Polished
Chrome



Polished
Nickel

G-8642

Shower Components

Contemporary Round Wall Bracket for Handshower

GRAFF®



Product Features

- Solid brass construction
- Swivel holder

Warranty

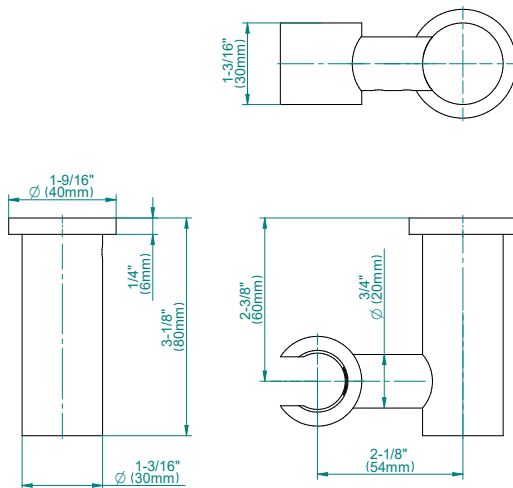
- Limited lifetime warranty

For complete warranty information go to www.graff-designs.com/en-nam/warranty

Available Finishes

- Polished Chrome
G-8642-PC
- Polished Nickel
G-8642-PN
- Brushed Nickel
G-8642-BNi
- Unfinished Brushed Brass*
G-8642-UBB*
- Unfinished Brass*
G-8642-UB*
- Matte Black*
G-8642-MBK*
- Architectural Black*
G-8642-BK*
- Architectural White*
G-8642-WT*
- Steelnox (Satin Nickel)*
G-8642-SN*
- Olive Brass*
G-8642-OB*
- Gunmetal*
G-8642-GM*
- Vintage Brushed Brass*
G-8642-VBB*
- OR'osa PVD*
G-8642-RG*
- Brushed OR'osa PVD*
G-8642-BRG*
- Onyx PVD*
G-8642-OX*
- Brushed Onyx PVD*
G-8642-BOX*
- Polished Brass PVD*
G-8642-PB*
- Brushed Brass PVD*
G-8642-BB*
- 24K Brushed Gold*
G-8642-BAU*
- 24K Gold*
G-8642-AU*
- Gunmetal Distressed*
G-8642-GMD*

* Special order finish- call for availability



The measurements shown are for reference only. Products and specifications shown are subject to change without notice. Revised 10/2019

www.graff-designs.com | phone: 800-954-4723