



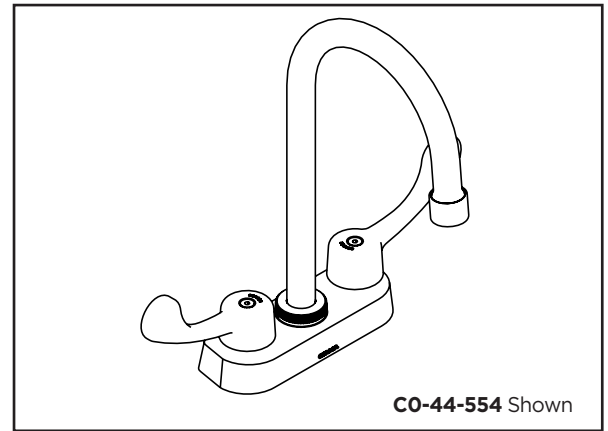
GERBER

CO-44-554 Series Commercial Faucet Two Handle Gooseneck Lavatory Faucet



Features:

- Cast brass underbody with heavy chrome plated brass shell
- Choice of vandal proof lever or wrist blade metal handles
- Color-coded handle screws
- Ceramic disc cartridges G0086986 & G0086987
- Goose neck spout
- 0.5 gpm (1.9 L/min) maximum laminar aerator G0097298 @ 60 psi
- 1/2" NPSM supply connection
- Max. 1 3/8" deck thickness
- Lead free waterway per NSF/ANSI 372
- Fully ADA compliant
- Limited lifetime warranty
- Meets CEC requirements



Standards & Certifications:

- ASME A112.18.1M
- NSF/ANSI 372
- IAPMO/cUPC
- ICC/ANSI A117.1
- Mass Code
- WaterSense Pending

Catalog Numbers:

CO-44-554 Wrist Blade Handles, Less Drain Assembly

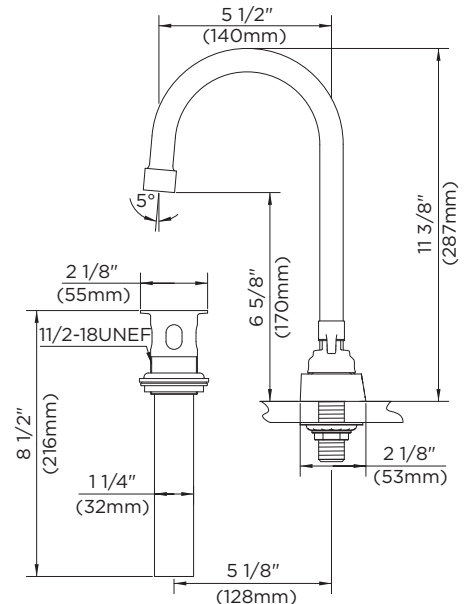
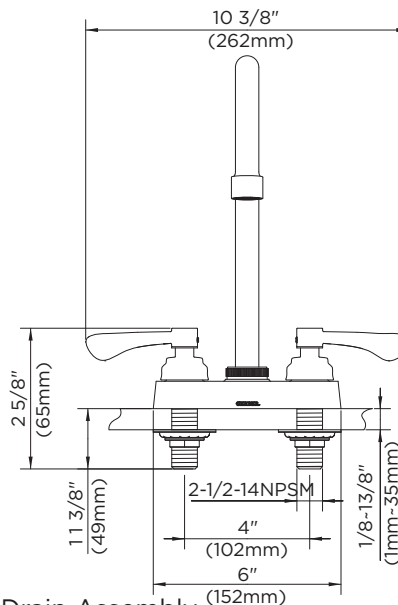
CO-44-555 Wrist Blade Handles, With Brass Grid Strainer

Prefixes Available:

CO = Wrist Blade Handles

Suffixes Available:

None



Job Name	
Date	
Model Specified	
Quantity	
Customer	
Contractor	
Architect/engineer	

Gerber Toll Free Technical Support: 888-648-6466
www.gerberonline.com