

## MAXWELL® DUAL FLUSH Elongated Toilet

12" Rough-in



### Features:

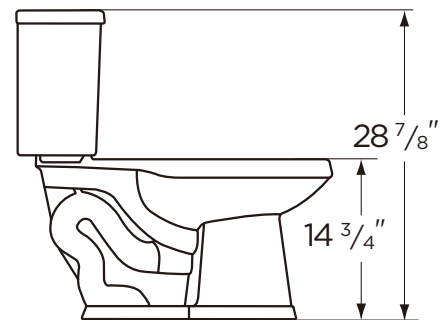
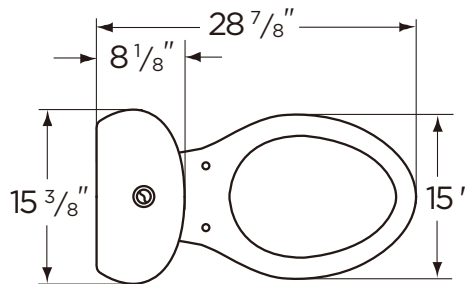
- Dual Flush 1.1/1.6 gpf (4.0/6.0 Lpf)
- High Efficiency Toilet (HET)
- Elongated Front Bowl
- Glazed Trapway
- Reverse Trap
- Front Jet Flushing Action
- Top Mounted, Two-button Actuator
- Syphonic Flush Action Keeps Bowl Clean
- Available in White and Biscuit
- 2 Bolt Caps
- Seat not included

### Dimensions:

Height .....28 7/8"  
 Width .....15 3/8"  
 Depth .....28 7/8"  
 Rough-in .....12"  
 Water Surface from Rim .... 5 1/2"  
 Trapway ..... 1 3/4"  
 Water Surface .....11" x 8"  
 Water Seal .....2 1/2"  
 Shipping Weight ..... 69.5 lbs



**Specifications:** Bowl—#SE-21-162 Elongated Bowl Tank—#DF-28-190



THIS FIXTURE QUALIFIES ACCORDING TO ASME TEST PROCEDURES AS A HIGH-EFFICIENCY WATER CLOSET WITH AN AVERAGE CONSUMPTION OF 1.28 gpf (4.8 Lpf) OR LESS.

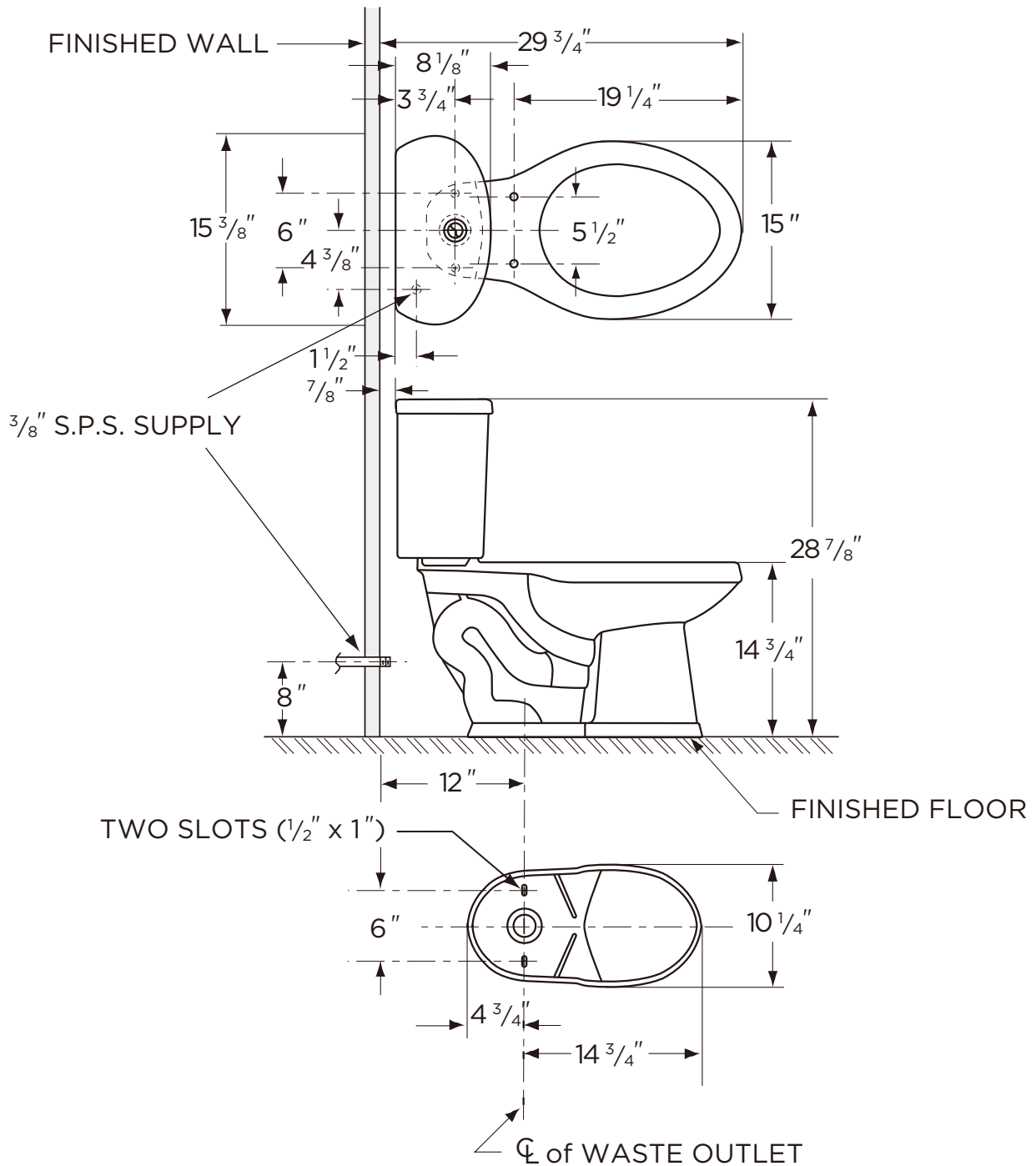


[www.gerberonline.com](http://www.gerberonline.com)

Job Name	
Date	
Model Specified	
Quantity	
Customer	
Contractor	
Architect/engineer	

**GERBER**<sup>®</sup>

DF-20-112  
 Elongated, 12" Rough-in  
 (Bowl SE-21-162 with Tank DF-28-190)



NOTES:  
 All dimensions are in inches.

Illustrations may not be drawn  
 to scale.

**IMPORTANT:**

Dimensions of fixtures are nominal and may vary  
 within the range of tolerances established by ASME  
 Standard A 112.19.2.

THIS FIXTURE QUALIFIES ACCORDING TO ASME  
 TEST PROCEDURES AS A HIGH-EFFICIENCY  
 WATER CLOSET WITH AN AVERAGE CONSUMPTION  
 OF 1.28 gpf (4.8 Lpf) OR LESS.