



FITZGERALD™

WALL TUB SPOUT

- Cast brass
- 8" Spout
- Includes 1/2 NPA adapter for 1/2 or 3/4 installations

CODES AND STANDARDS

Meets or Exceeds ASME A112.18.1/CSA B125.1



AVAILABLE FINISHES

Polished Chrome
Brushed Nickel
Platinum Nickel

FINISH CODE

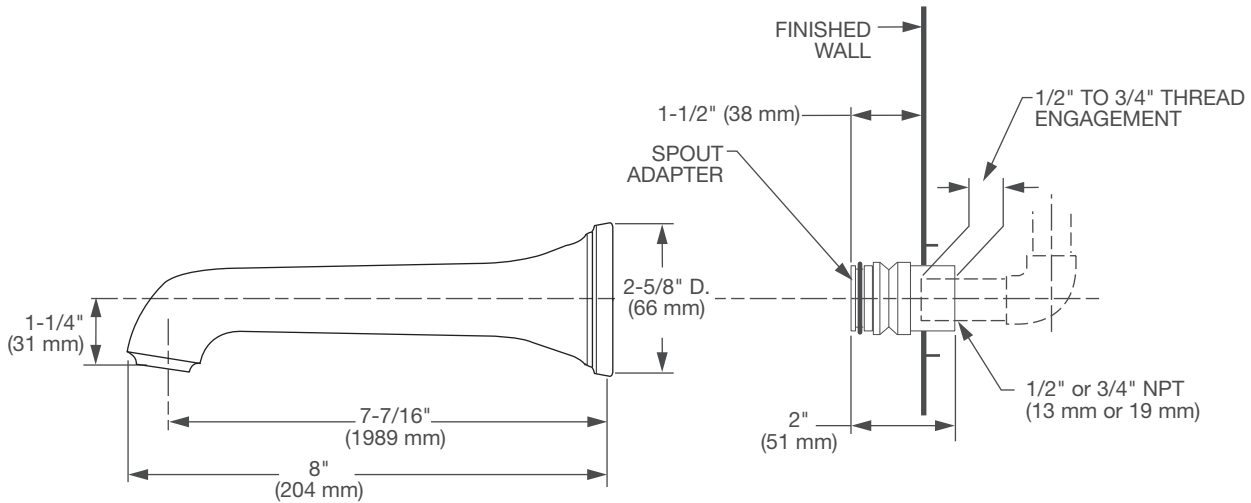
100
144
150

DESCRIPTION

Wall Tub Spout

PRODUCT NUMBER

D35160760.XXX



IMPORTANT: These measurements are subject to change or cancellation. No responsibility is assumed for use of superseded or voided pages.

PART OF **LIXIL**