



AMERICAN STANDARD

# PERCY™ PRESSURE BALANCE SHOWER TRIM



- Cast brass valve
- Ceramic disc valve cartridge
- Adjustable hot limit safety stop
- Pressure balance cartridge maintains constant output temperature in response to changes in relative hot and cold supply pressures
- Concealed mounting hardware
- 1/2" NPT

### CODES AND STANDARDS

Meets or Exceeds ASME A112.18.1/  
CSA B125.1/ASSE 1016

### AVAILABLE FINISHES

Polished Chrome  
Brushed Nickel

### FINISH CODE

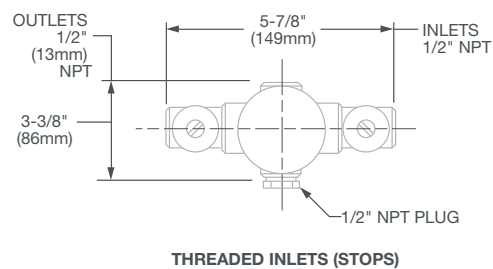
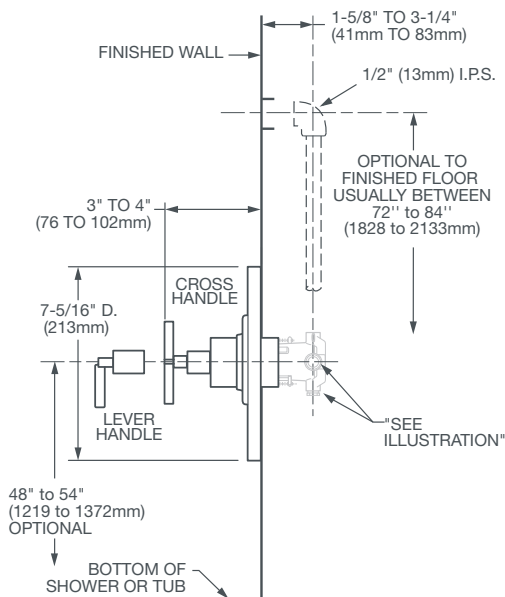
100  
144

### DESCRIPTION

Pressure Balance  
Shower Trim  
— Cross Handle  
— Lever Handle

### PRODUCT NUMBER

D35105540.XXX  
D35105500.XXX



**IMPORTANT:** These measurements are subject to change or cancellation.  
No responsibility is assumed for use of superseded or voided pages.



Meets the Americans with Disabilities Act  
Guidelines and ANSI A117.1 Requirements  
for the physically challenged.