

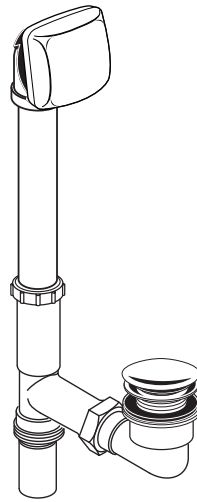
INSTALLATION INSTRUCTIONS



DXV Deep Soak[®] Tub Drain Tub Waste and Overflow with Toe Tapper Drain Plug Model D1640305 Series

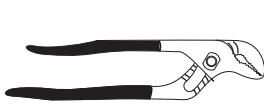
Note: This Drain is intended for use with Tub Drains ONLY!

Thank you for selecting DXV. To ensure that your installation proceeds smoothly, please read these instructions carefully before you begin.

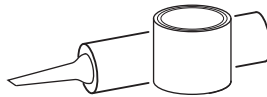


RECOMMENDED TOOLS AND MATERIALS

Most of the procedures require the use of common tools and materials, which are available from hardware and plumbing supply stores. It is essential that the tools and materials be on hand before work has begun.



Channel Locks

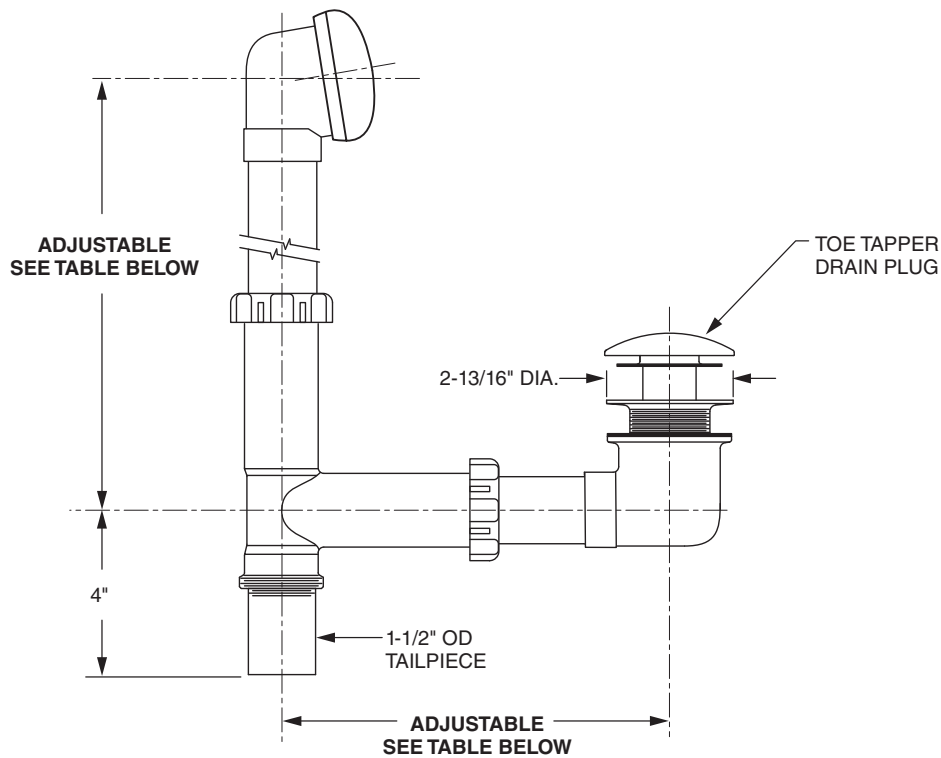


Plumbers' Putty or Caulking



Phillips Screwdriver

ROUGHING-IN REFERENCES



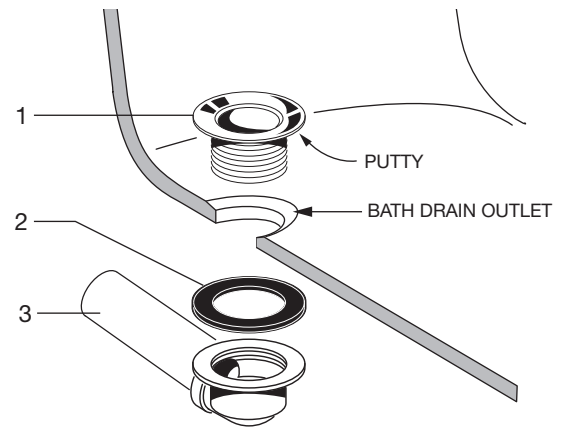
OVERFLOW HEIGHT	DRAIN LENGTH
*MIN – 17"	*MIN – 6-1/2"
MAX – 19-1/2"	*MAX – 9"

*NOTE: A smaller dimension can be accommodated by cutting pipe.

SAVE FOR FUTURE USE

1 INSTALL DRAIN PLUG AND ELL (STANDARD AND OVER-THE-RIM DRAINS)

- Apply putty to underside of DRAIN PLUG (1) and drop into drain opening.
- Slip RUBBER WASHER (2) on from below and thread DRAIN PLUG (1) into DRAIN ELL ASSEMBLY (3).



NOTE: TUB IS SHOWN CUT AWAY FOR CLARITY OF INSTALLATION.

2 INSTALL OVERFLOW ASSEMBLY AND DRAIN TEE (STANDARD DRAIN)

- Loosen SLIP JOINT NUT & SEAL (1) and install onto OVERFLOW TUBE (2). Install OVERFLOW TUBE ASSEMBLY (2) into the appropriate leg of the DRAIN TEE (3). Apply sealant to threads of TAILPIECE (6) and thread into DRAIN TEE (3). Install OVERFLOW GASKET (4) to OVERFLOW TUBE ASSEMBLY (2). (Adjust OVERFLOW GASKET (4) to contour of tub. FIG.1.
- Loosen SLIP JOINT NUT & SEAL (5) and install onto DRAIN ELL ASSEMBLY (6). Install DRAIN ELL ASSEMBLY (6) into the horizontal leg of the DRAIN TEE (3). FIG.2.

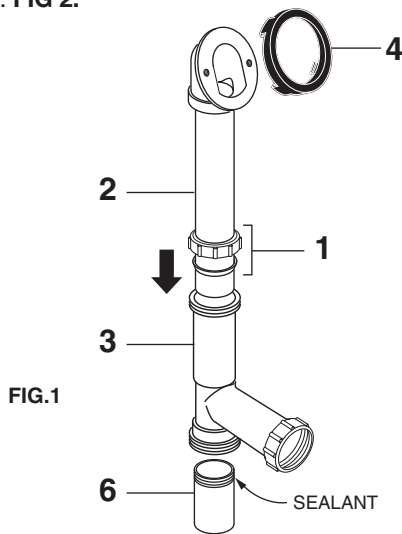


FIG.1

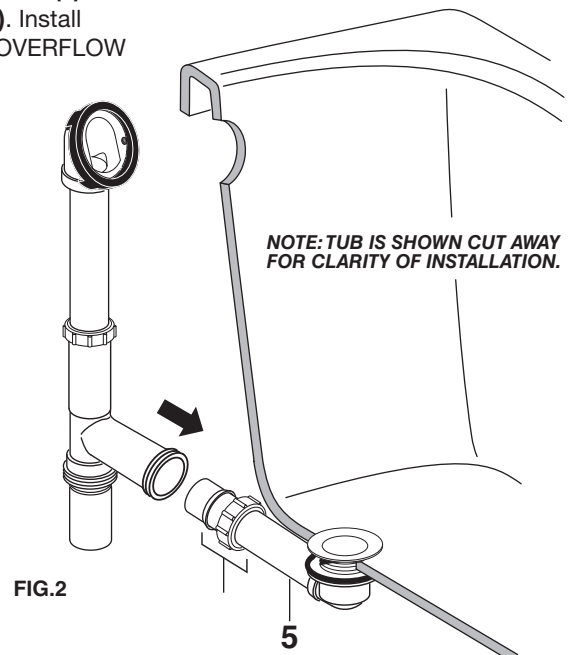
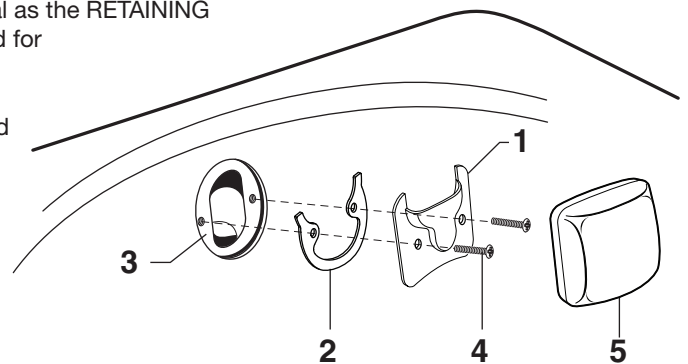


FIG.2

3 SECURE OVERFLOW ASSEMBLY TO TUB (STANDARD DRAIN)

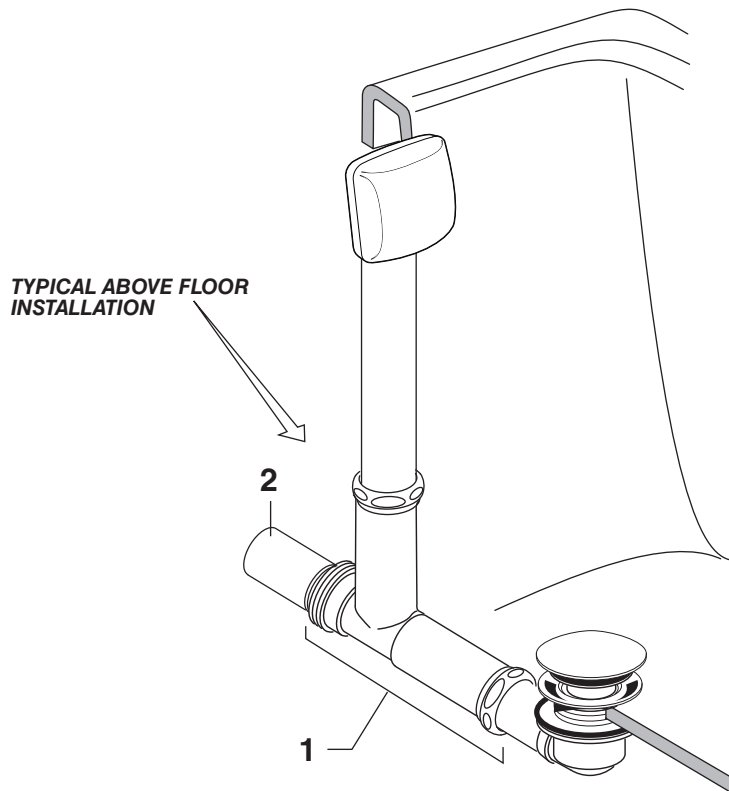
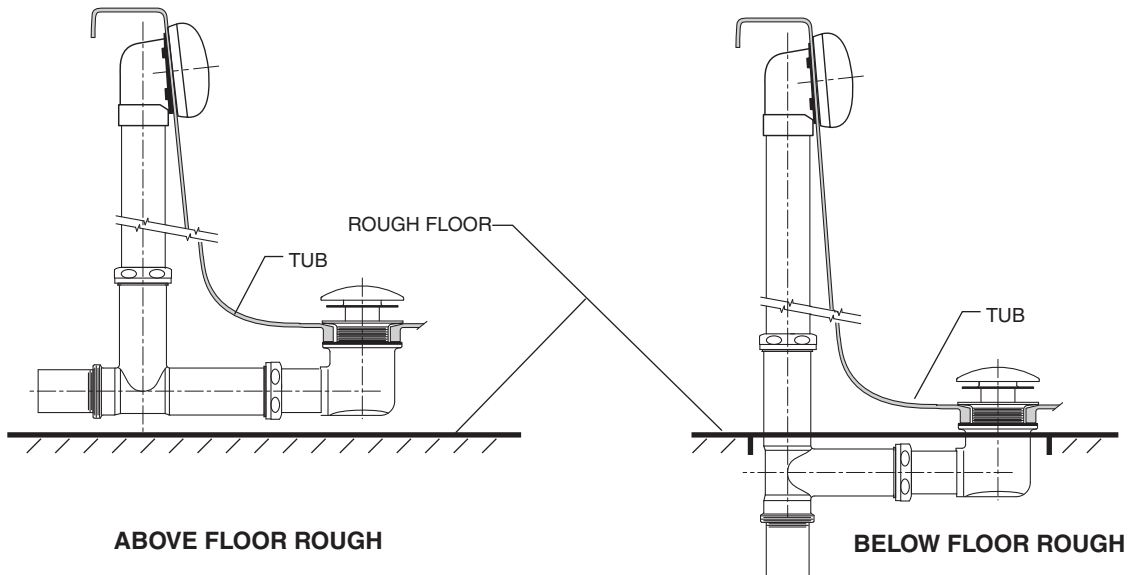
- Align the holes in the RETAINING PLATE (1) with those in the GASKET (2) and OVERFLOW FLANGE (3). Install SCREWS (4), tighten snugly (do not over tighten). The overflow gasket (behind tub wall) will begin to seal as the RETAINING PLATE (1) becomes tighter. The overflow gasket can be rotated for desired fit.
- Align the ESCUTCHEON (5) with the RETAINING PLATE (1) and push onto RETAINING PLATE (1) until the ESCUTCHEON (5) snaps into place.
- When you are satisfied with the overall fit of the drain, go back and tighten all joints to make a water tight seal.



4 ABOVE FLOOR OUTLET INSTALLATION (STANDARD DRAIN)

Note: Waste outlet can be installed either above the floor or below floor. Fig.1.

- For above floor drain outlet, Rotate DRAIN TEE ASSEMBLY (1) 90 degrees so TAILPIECE (2) faces out the back from tub as shown.



NOTE: TUB IS SHOWN CUT AWAY FOR CLARITY OF INSTALLATION.

5 CARE INSTRUCTIONS:

DO: SIMPLY RINSE THE PRODUCT CLEAN WITH CLEAR WATER. DRY WITH A SOFT COTTON FLANNEL CLOTH.

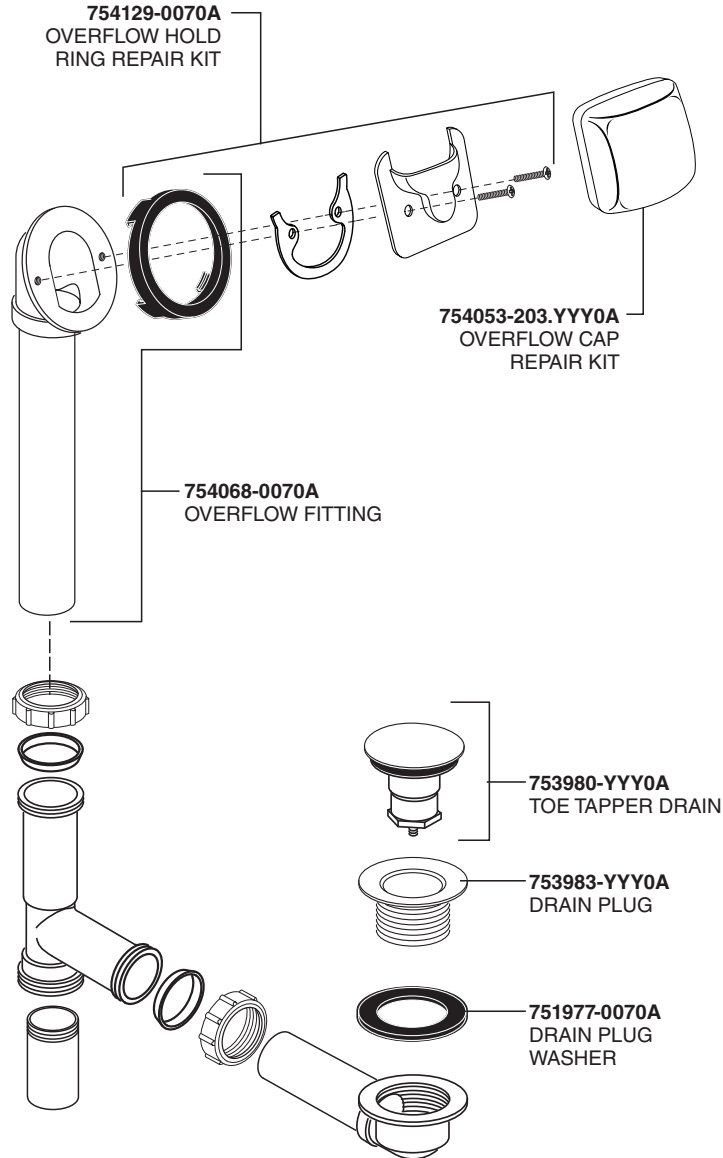
DO NOT: DO NOT CLEAN THE PRODUCT WITH SOAPS, ACID, POLISH, ABRASIVES, HARSH CLEANERS, OR A CLOTH WITH A COARSE SURFACE.



Deep Soak® Tub Drain Tub Waste and Overflow with Toe Tapper Drain Plug

MODEL NUMBER

D1640305 Series



Replace the "YYY" with appropriate finish code

POLISHED CHROME	002
BRUSHED NICKEL	295

In the United States:

DXV
One Centennial Avenue
Piscataway, New Jersey 08855
Attention: Director of Customer Care

For residents of the United States, warranty information may also be obtained by calling the following toll free number: (800) 227-2734
www.DXV.com

In Canada:

DXV
5900 Avebury Road
Mississauga, Ontario
L5R 3M3
Canada

Toll Free: 1-800-387-0369
Local: 905-306-1093
Fax: 1-800-395-1498

In Mexico:

DXV
Via Morelos 330
Col. Santa Clara Coatitla
Ecatepec, Estado de México 55540

Toll Free: 01-800-8391200
www.DXV.mx