

see what Delta can do™

WALL MOUNT TUB FILLER

■ Stryke™ Bath Collection

FEATURES:

- Lumicoat® Finish (-PR models only)
- Lumicoat® Finishes easily wipe clean without cleaners and chemicals on the products most commonly touched areas.

STANDARD SPECIFICATIONS:

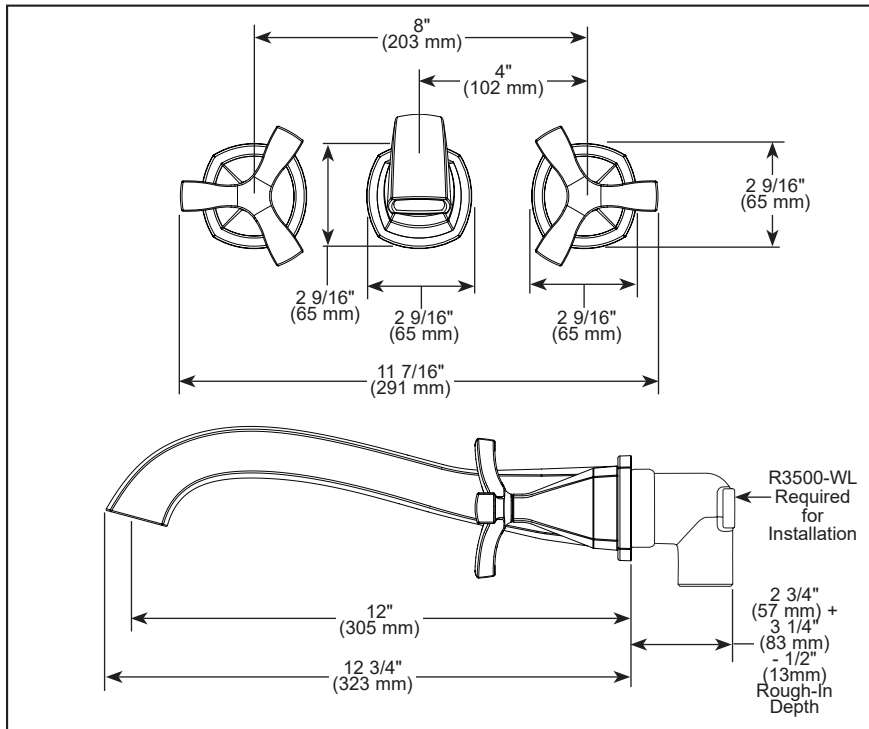
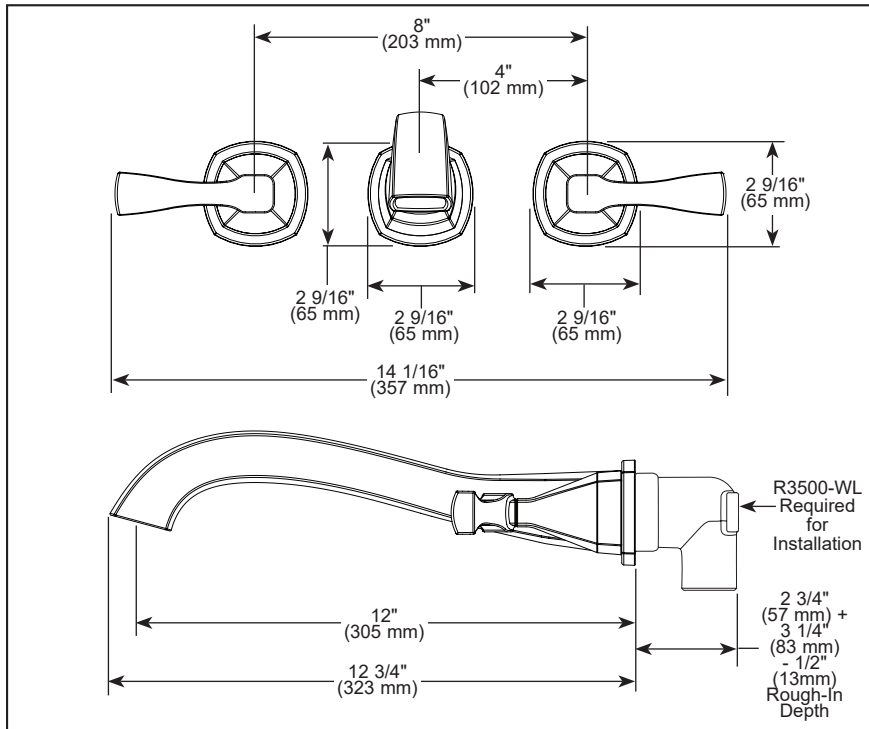
- 8.0 gpm @ 60 psi, 303 L/min @ 414 kPa
- Three hole wall mount
- 1/4 turn stops
- Accommodates wall thicknesses from 1/8" to 3 3/4"
- Cartridges ship with rough
- 1/2"-14 NPT threaded female inlets
- Rough-In R3500-WL required for installation

WARRANTY

- Parts and Finish - Lifetime limited warranty; or for commercial purchasers, 10 years for multi-family residential (apartments and condominiums) and 5 years for all other commercial uses, in each case from the date the product is received by the original purchaser or their authorized representative (installation contractor, etc.).
- Electronic Parts and Batteries (if applicable) - 5 years from the date the product is received by the original purchaser or their authorized representative (installation contractor, etc.); or for commercial purchasers, 1 year from the date the product is received by the original purchaser or their authorized representative (installation contractor, etc.). No warranty is provided on batteries.

COMPLIES WITH:

- ASME A112.18.1 / CSA B125.1
- ♿ Indicates compliance to ICC/ANSI A117.1



▲ Designate proper finish suffix

Delta reserves the right (1) to make changes in specifications and materials, and (2) to change or discontinue models, both without notice or obligation. Dimensions are for reference only. See current full-line price book or www.deltafaucet.com for finish options and product availability.

DSP-B-T5776-WL Rev. B

Delta Faucet Company

55 E. 111th Street, Carmel, Indiana 46280
350 South Edgeware Road, St. Thomas, ON N5P 4L1
© 2023 Delta Faucet Company