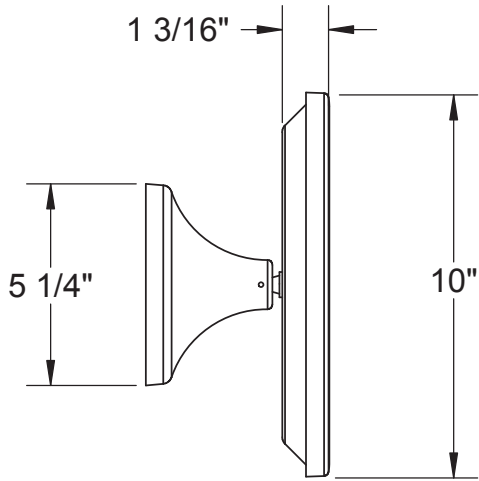




**Catalog Number: IS1-X**

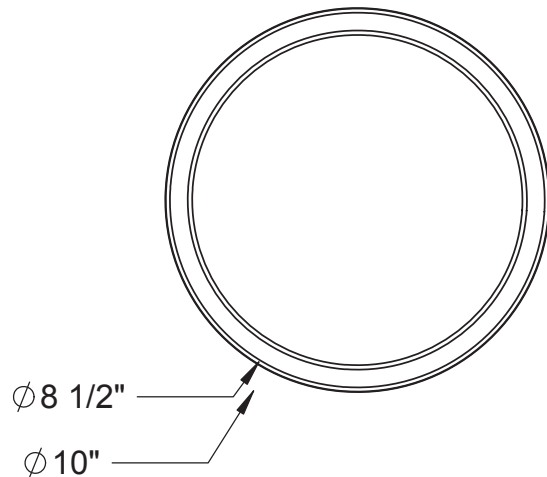
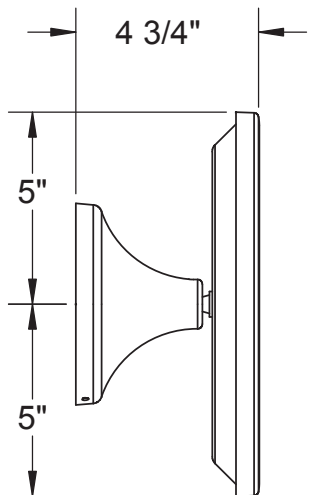
**Baci At Home**

IS1-X



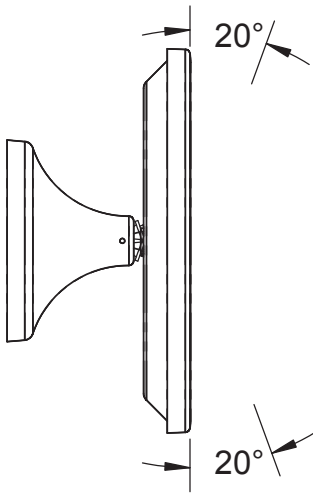
The typical user's eye height is 58 3/4" above the floor. So the mounting plate should be centered at that height.

This mirror is entirely constructed of Lexan, stainless steel and other rust-resistant materials. Thus it is well suited for use in ocean front or other corrosive atmospheres.



IS1-X

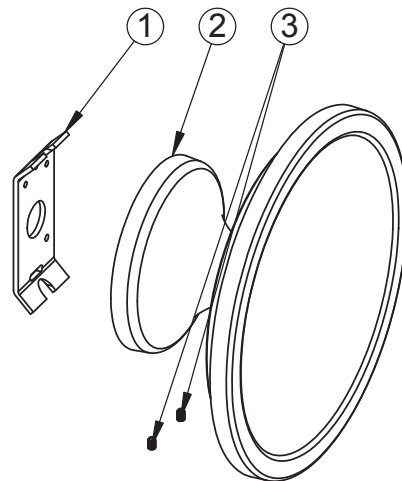
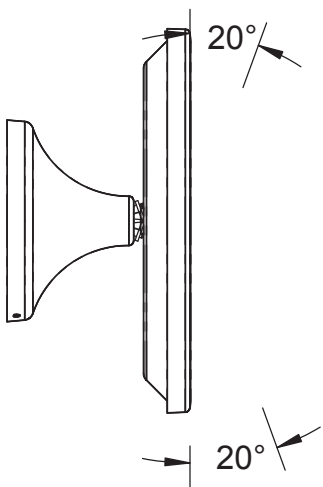
Top view  
Mirror tilts left and right



### Installation

- 1) Attach the back plate securely to the wall.
- 2) Place the canopy over the back plate
- 3) Secure the mirror with the 2 setscrews in the canopy

Side view  
Mirror tilts up and down



**IS1-X — Tilt Swivel Wall Mirror**



<b>Product Category</b>	Baci Classic Mirrors
<b>Special Features</b>	Optical quality 3, 5 or 7X glass mirrors Natural white LED lighting Corrosion resistant construction 5 year warrantee
<b>Lighting</b>	Unlighted
Lumens	NA
Color Temperature	NA
Color Rendering Index	NA
<b>Electrical</b>	
Watts	NA
Volts	NA
Hertz	NA
Amps	NA
<b>UL Listing</b>	NA
<b>Dimensions</b>	Mirror body 10" diameter Canopy is 5 1/4" diameter Projection 4 3/4"
<b>Basic Model</b>	IS1-X-WB-3X
<b>Body Types</b>	White Lexan body Epoxy body
<b>Magnification</b>	3X 5X
<b>Finish Options</b>	
Standard	White

**Other Models in this Family**

IS1-LED LED Lighting

