

**MURRO™ UNIVERSAL DESIGN
WALL-HUNG LAVATORY WITH EVERCLEAN®**

- Vitreous china with EverClean
- Available with rear overflow or less overflow
- Recessed self-draining deck
- For concealed arm or wall support
- Optional vitreous china shroud/knee contact guard 0059.020EC available
- Optional acrylic shroud/knee contact guard 0062.000 available
- ADA and TAS compliant

- 0954.004EC** Faucet holes on 102mm (4") Ctrs with overflow (Illustrated)
- 0954.123EC** Faucet holes on 102mm (4") Ctrs with overflow
 - Extra right-hand hole
- 0954.121EC** Faucet holes on 102mm (4") Ctrs with overflow
 - Extra left-hand hole
- 0954.904EC** Faucet holes on 102mm (4") Ctrs less overflow
- 0958.008EC** Faucet holes on 203mm (8") Ctrs with overflow
- 0958.908EC** Faucet holes on 203mm (8") Ctrs less overflow
- 0955.001EC** Center hole only with overflow
- 0955.123EC** Center hole only with overflow
 - Extra right-hand hole
- 0955.121EC** Center hole only with overflow
 - Extra left-hand hole
- 0955.901EC** Center hole only less overflow

Nominal Dimensions:

520mm (20.5") deep, 540mm (21-1/4") wide

Bowl sizes:

394mm (15-1/2") wide, 343mm (13-1/2") front to back, 127mm (5") deep

- 0062.000 Acrylic Shroud/Knee Contact Guard**
(Must be purchased separately)
- 0059.020EC Shroud/Knee Contact Guard**
(Vitreous China with EverClean)
(Must be purchased separately)



Shown with 0062.000 shroud



Shown with 0059.020EC shroud

SEE REVERSE FOR ROUGHING-IN DIMENSIONS

To Be Specified:

- Color: White
- Optional Acrylic Shroud/Knee Contact Guard: 0062.000
- Optional Vitreous China Shroud/Knee Contact Guard: 0059.020EC
- Faucet*:
- Faucet Finish:
- Supplies:
- 1-1/4" Trap:
- Nipple:

* See faucet section for additional models available

Compliance Certifications -

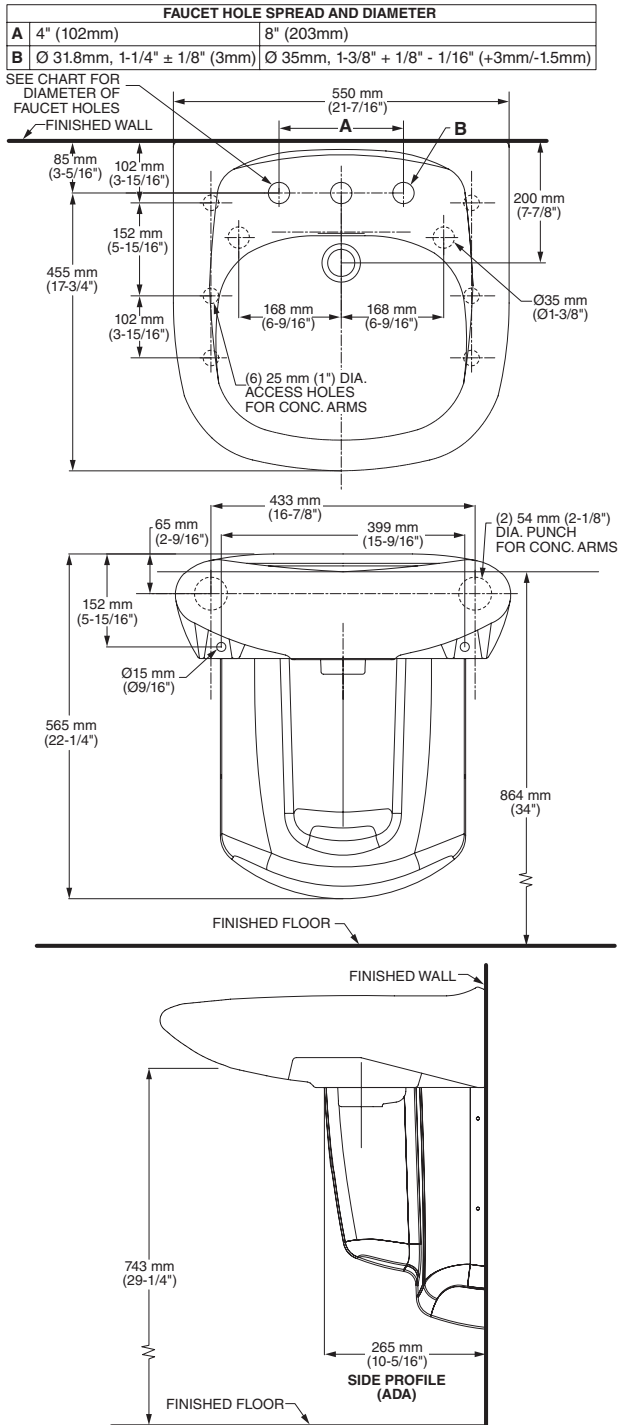
Meets or Exceeds the Following Specifications:

- ASME A112.19.2 for Vitreous China Fixtures

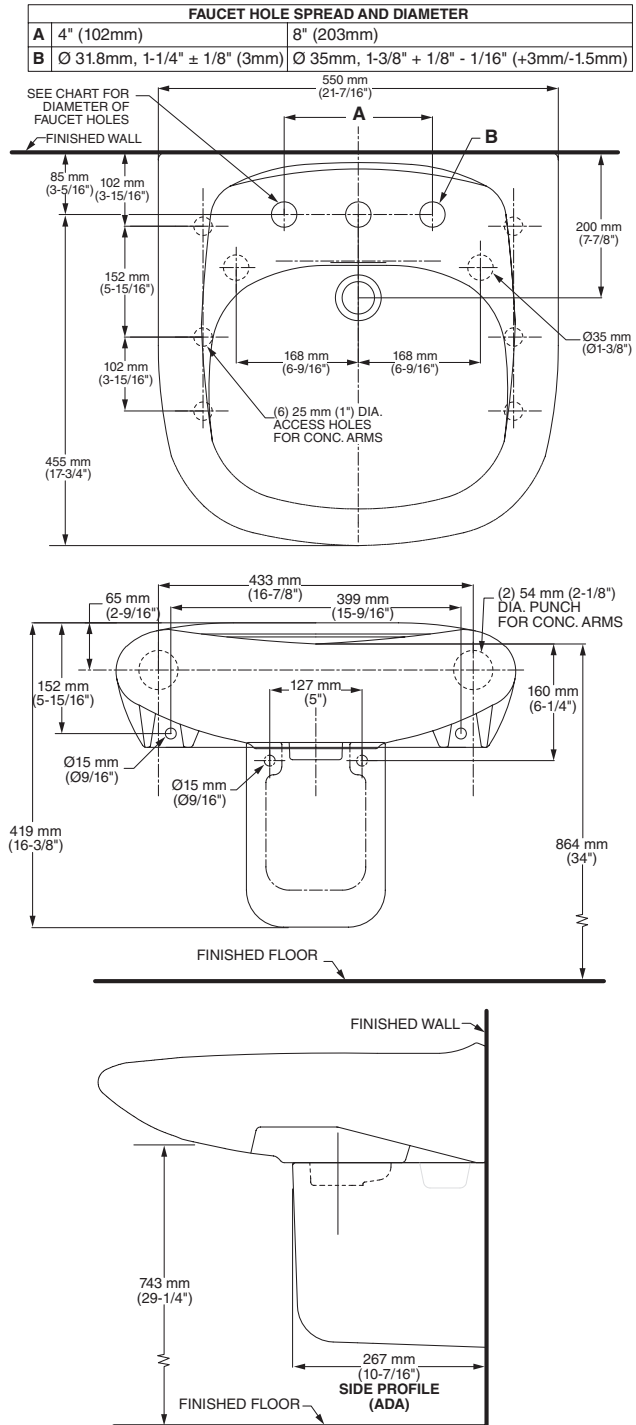


MEETS THE AMERICANS WITH DISABILITIES ACT GUIDE-
LINES AND ANSI A117.1 ACCESSIBLE AND USABLE
BUILDINGS AND FACILITIES - CHECK LOCAL CODES.
Top of front rim mounted 864mm (34") from finished floor.

MURRO WITH ACRYLIC SHROUD



MURRO WITH VITREOUS CHINA SHROUD



NOTES:

- LOOSE KEY ANGLE STOPS, LESS WALL ESCUTCHEONS. SUPPLIES REQUIRED.
- * DIMENSIONS SHOWN FOR LOCATION OF SUPPLIES AND "P" TRAP ARE SUGGESTED.
- SHROUD/KNEE CONTACT GUARD 0059.020 NOT INCLUDED AND MUST BE ORDERED SEPARATELY.
- SUITABLE FOR REINFORCEMENT ONLY, ACTUAL DIMENSIONS MUST BE TAKEN FROM FIXTURE.
- FITTINGS NOT INCLUDED AND MUST BE ORDERED SEPARATELY.
- PROVIDE SUITABLE REINFORCEMENT FOR ALL WALL SUPPORTS.
- INSTALLATION INSTRUCTIONS SUPPLIED WITH LAVATORY.
- IMPORTANT:** Dimensions of fixtures are nominal and may vary within the range of tolerances established by ANSI Standard A112.19.2. These measurements are subject to change or cancellation. No responsibility is assumed for use of superseded or voided pages.